



Project _____

Item # _____

Quantity _____

Flav-R-Shield™ Self-Service Sneeze Guard - Model ES90

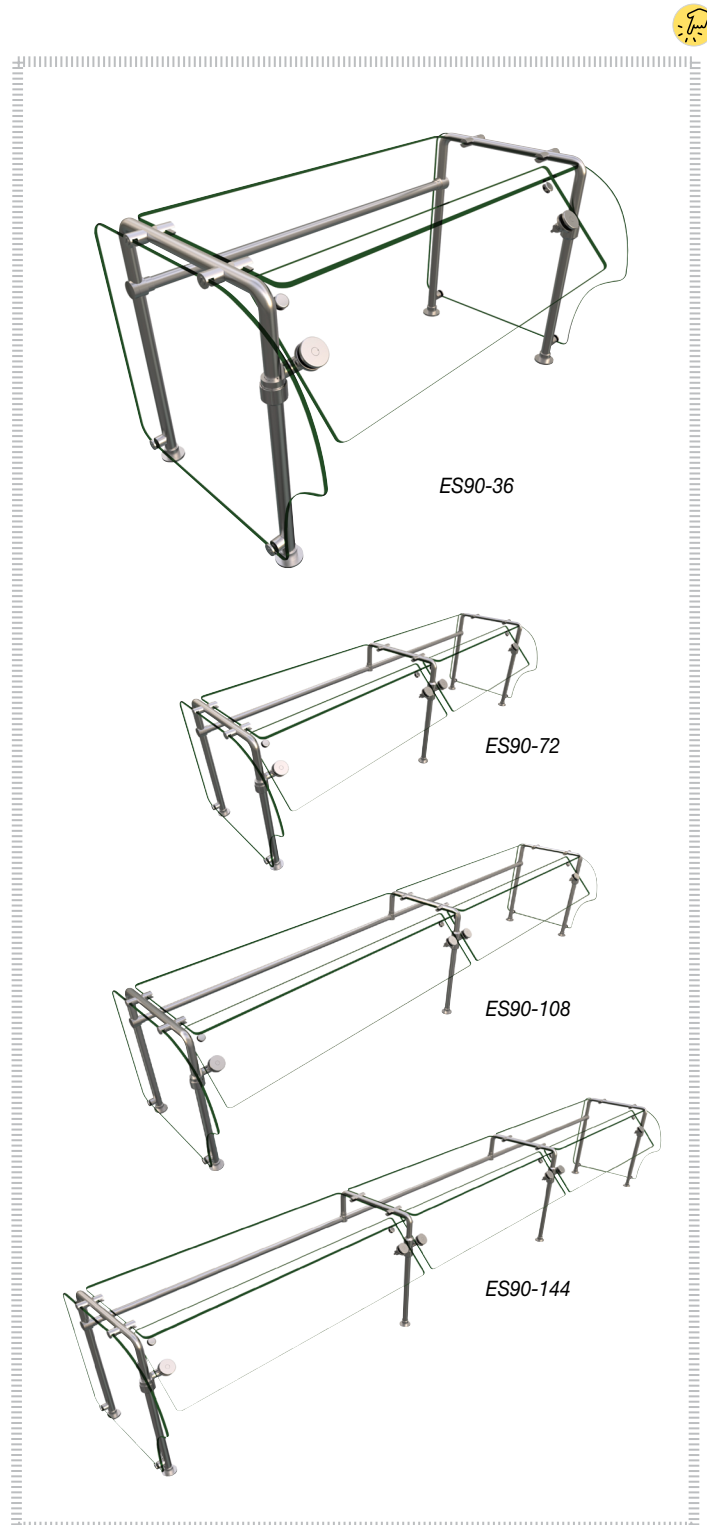
Item Numbers:

ES90-36, -48, -60, -72, -84, -96, -108, -120, -132, -144

Enhance and protect food products simultaneously with Hatco's Flav-R-Shield™ Sneeze Guards – ES90 for stationary single-sided self-service applications. These stylish yet functional Sneeze Guards, with several patented features, are ideal for buffet lines and serving stations. They provide all the requirements to safeguard your foods.

Standard features

- Stylish 1" (25 mm) Diameter SAE 304 brushed stainless steel Posts
- 2" (50 mm) Diameter stainless steel finish Flanges with unique tight-fitting Flange Covers that hide mounting screws and maximize cleanability
- Durable 0.375" (10 mm) Thick tempered glass construction with 0.75" (19 mm) radius corners and flat polished edges for a clean look throughout
- Adjustable glass Face Panels, glass Top Shelf and two End Panels 19.375" High x 24.188" Deep (492 x 413 mm)
- Mounts to stainless steel, natural and engineered solid stone surfaces and laminate countertops



Customize now!

Custom configurations available:
Hardware, glass, lighting and more!
Scan or click the QR code to the left.
www.hatcosneezeguards.com



HATCO CORPORATION | P.O. Box 340500 Milwaukee, WI 53234-0500 U.S.A. | (414) 671-6350



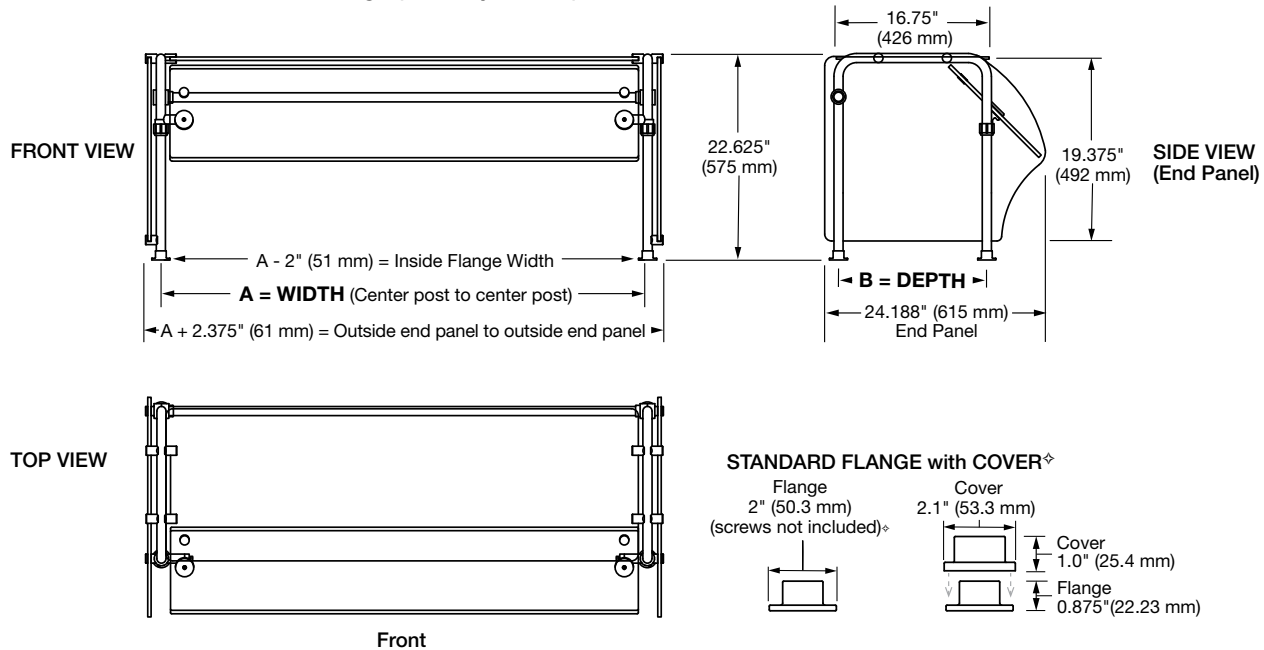
www.hatcocorp.com | support@hatcocorp.com | [Find a Hatco Rep](#) | [Image Library](#) | [Document Library](#) | [Patents](#) | [Chat](#)



Flav-R-Shield™ Self-Service Sneeze Guards – Model ES90

Item Numbers: ES90-36, -48, -60, -72, -84, -96, -108, -120, -132, -144

Model ES90 Standard offerings (one bay shown)



SPECIFICATIONS Flav-R-Shield™ Self-Service Sneeze Guards – Model ES90

All Sneeze Guards are 22.625" (575 mm) High

Number of Bays	Item Number	A Width Center of post to center of post	B Depth Center of post to center of post	Total Approx. Ship. Weight [■]
1	ES90-36	36" (914 mm)	16.25" (413 mm)	183 lbs (83 kg)
1	ES90-48	48" (1219 mm)	16.25" (413 mm)	209 lbs (95 kg)
2	ES90-60	60" (1524 mm)	16.25" (413 mm)	243 lbs (111 kg)
2	ES90-72	72" (1829 mm)	16.25" (413 mm)	266 lbs (121 kg)
2	ES90-84	84" (2134 mm)	16.25" (413 mm)	291 lbs (132 kg)
2	ES90-96	96" (2438 mm)	16.25" (413 mm)	319 lbs (145 kg)
2	ES90-108	108" (2743 mm)	16.25" (413 mm)	349 lbs (159 kg)
3	ES90-120	120" (3048 mm)	16.25" (413 mm)	387 lbs (176 kg)
3	ES90-132	132" (3353 mm)	16.25" (413 mm)	429 lbs (195 kg)
3	ES90-144	144" (3658 mm)	16.25" (413 mm)	470 lbs (214 kg)

◆ 2" (50 mm) long #8 counter sink screws are recommended for installations on most surfaces. Requirements will vary based on surface material and thickness. Fasteners not included.

■ Items may be shipped in multiple boxes.

PRODUCT SPECS Flav-R-Shield™ Self-Service Sneeze Guards – Model ES90

Flav-R-Shield Self-Service Sneeze Guard – Model ES90 shall be manufactured by the Hatco Corporation, Milwaukee, WI 53234 U.S.A.

The unit shall be ... inches (millimeters) in overall width, ... inches (millimeters) in overall depth and ... inches (millimeters) in overall height.

The Sneeze Guard shall have 1" (25 mm) Diameter SAE 304 brushed stainless steel

Posts, 2" (50 mm) Diameter stainless steel finish Flanges with unique tight-fitting Flange Covers, 0.375" (10 mm) Thick tempered glass construction with 0.75" (19 mm) radius corners and flat polished edges, adjustable glass Face Panels, glass Top Shelf and two End Panels that are 19.375" High x 24.188" Deep (492 x 413 mm).

Warranty consists of one (1) year parts only.

HATCO CORPORATION | P.O. Box 340500 Milwaukee, WI 53234-0500 U.S.A. | (414) 671-6350



www.hatcocorp.com | support@hatcocorp.com | [Find a Hatco Rep](#) | [Image Library](#) | [Document Library](#) | [Patents](#) | [Chat](#)