



INTEK STEAMER

ELECTRIC MODEL XS

The Intek XS connectionless countertop steamer unit has a pan capacity of 6 pans (2.5" deep 12" x 20") or 4 pans (4" deep 12" x 20"). Unit must be capable of producing steam at 212°F with no water or drain connection required. Unit is to have inverted convection fan technology and includes a 1 year parts and labor warranty. NSF listed as both steamer and holding cabinet. UL listed.

AVAILABLE MODELS:

- XS-208-8-1 (208V, 8kW, 1-Phase)
- XS-208-8-3 (208V, 8kW, 3-Phase)
- XS-208-12-3 (208V, 12kW, 3-Phase)
- XS-240-8-1 (240V, 8kW, 1-Phase)
- XS-240-8-3 (240V, 8kW, 3-Phase)
- XS-240-12-3 (240V, 12kW, 3-Phase)
- XS-480-12-3 (480V, 12kW, 3-Phase)

STANDARD FEATURES:

- Produces steam at 212°F with no water or drain connection
- Inverted flow forced convection technology
- Magnetic door switch turns off convection fan when door is open
- 60 minute electro-mechanical timer, 2 position ON/OFF selector switch, indicator lights for COOK, STANDBY, HEAT and LOW WATER
- Low water warning system with automatic shutdown control

CONSTRUCTION:

- 14 gauge reinforced stainless steel cavity
- Two panel door with rugged 14 gauge stainless steel outer door
- Heavy refrigeration style door handle with magnetic latch
- Stainless steel wire racks positioned to support 1", 2.5", 4", or 6" deep pans
- Front mounted water reservoir manual drain line

OPERATION:

- Inverted flow convection fan in cooking chamber
- NSF approved holding cabinet
- Open door while cooking
- Heating element external to compartment and not exposed to water
- 3 gallon capacity water reservoir

ORIGIN OF MANUFACTURE:

Designed and manufactured in the United States.

PROJECT NAME:

LOCATION:

ITEM NO:

QTY:

MODEL NO:

AIA NO:

SIS NO:

6 pan capacity stainless steel pressureless, connectionless steamer. Tabletop, self-contained, electric heated. (Model XS shown)



OPTIONS/ACCESSORIES:

- Stand w/Bullet Feet for Single or Double Stack
- Casters for Stand
- Flanged Feet for Stand
- Door Hinged Left
- Correction Package
- Trivet

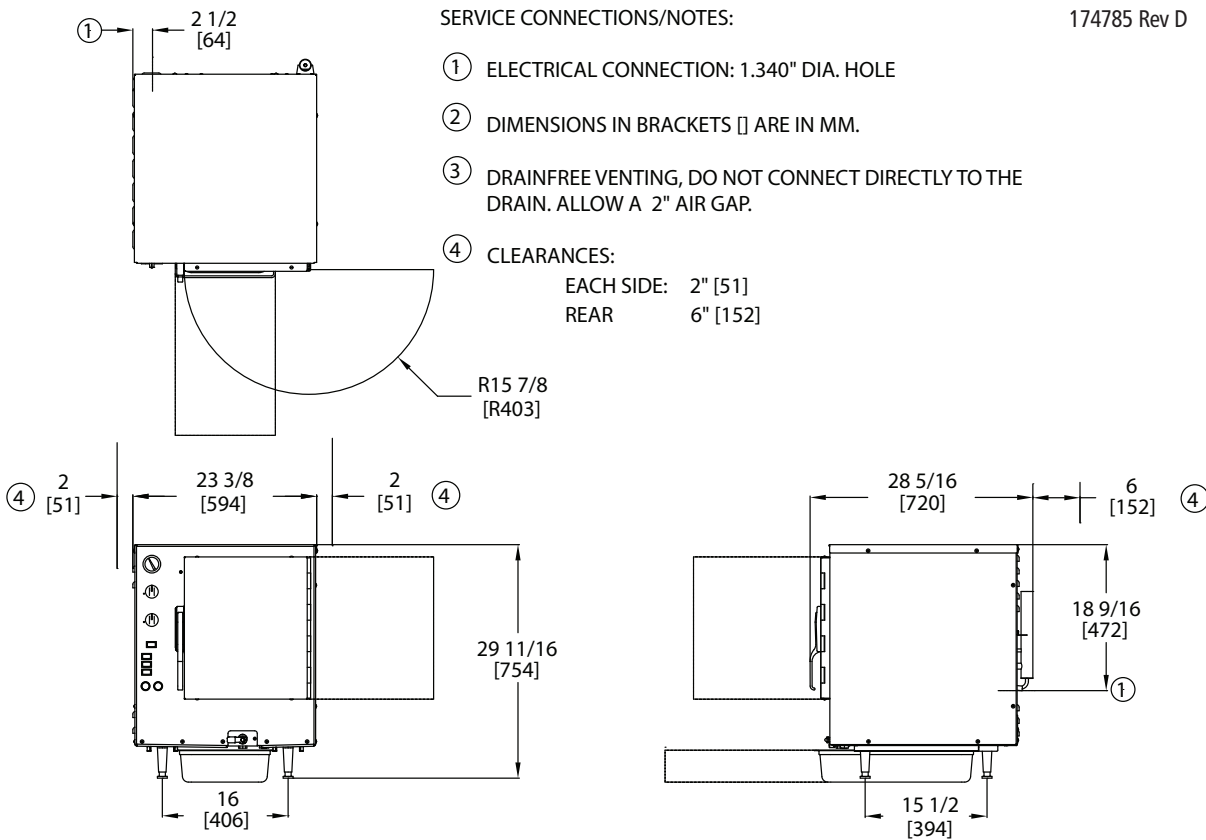


174785 Rev D



SERVICE CONNECTIONS/NOTES:

- ① ELECTRICAL CONNECTION: 1.340" DIA. HOLE
- ② DIMENSIONS IN BRACKETS [] ARE IN MM.
- ③ DRAINFREE VENTING, DO NOT CONNECT DIRECTLY TO THE DRAIN. ALLOW A 2" AIR GAP.
- ④ CLEARANCES:
 EACH SIDE: 2" [51]
 REAR 6" [152]

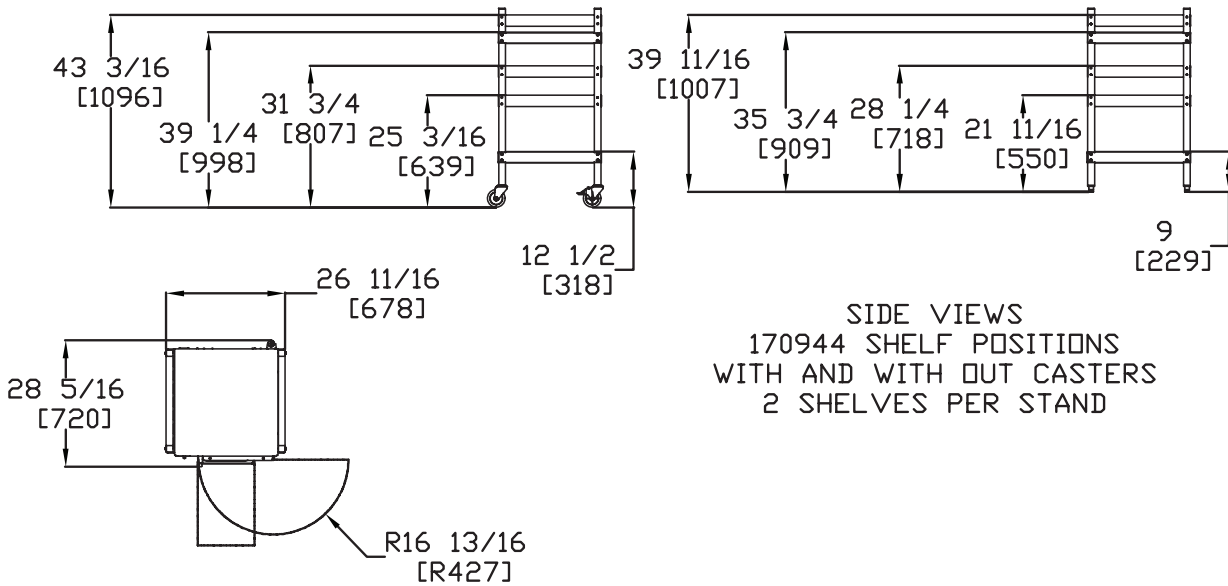


MODEL	NO. OF PANS	VOLTAGE	PHASE	KW MAX	AMP MAX	NEMA CONNECTOR NO.	CORD LENGTH FT [M]
XS-208-8-1	6	208	1	8	38.5	6-50P	7.5 (2.29)
XS-208-8-3	6	208	3	8	22	L15-30P (3PH)	8 (2.44)
XS-208-12-3	6	208	3	12	33.6	15-50P (3PH)	8 (2.44)
XS-240-8-1	6	240	1	8	33.4	6-50P	9 (2.74)
XS-240-8-3	6	240	3	8	19.4	L15-30P (3PH)	8 (2.44)
XS-240-12-3	6	240	3	12	29.1	L15-30P (3PH)	8 (2.44)
XS-480-12-3	6	480	3	12	14.6	L16-20P (3PH)	8 (2.44)

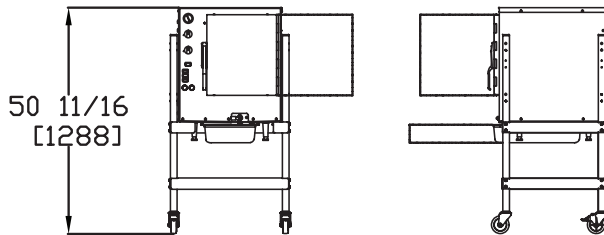
170944 STAND DIMENSIONS IN, [MM]			
CONFIGURATION	WIDTH	DEPTH	HEIGHT
WITH BULLET FEET	26 11/16 [678]	23 [584]	41 3/16 [1046]
WITH CASTORS	26 11/16 [678]	23 [584]	44 5/8 [1132]



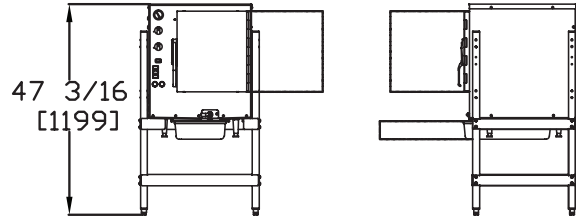
174786 Rev A



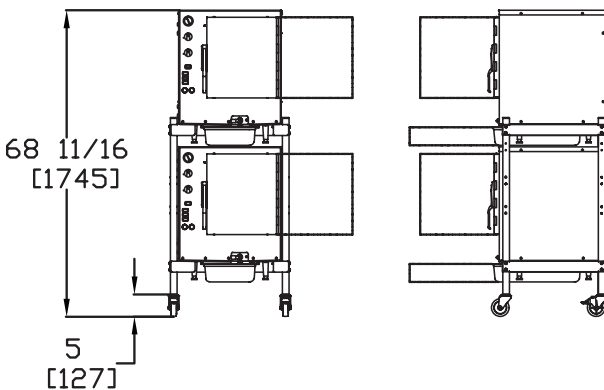
SIDE VIEWS
170944 SHELF POSITIONS
WITH AND WITH OUT CASTERS
2 SHELVES PER STAND



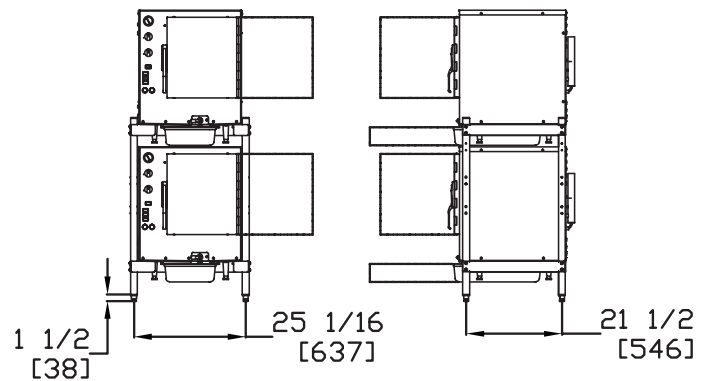
SINGLE XS ON 170944 STAND
LOWEST SHELF WITH CASTORS



SINGLE XS ON 170944 STAND
LOWEST SHELF WITHOUT CASTORS



DOUBLE XS ON 170944 STAND
WITH CASTORS



DOUBLE XS ON 170944 STAND
WITHOUT CASTORS