



# DIRECT STEAM KETTLE

## MODEL PT

Kettle shall be a Groen Model PT (Specify 20, 40, 60, 80, 100, 125 or 150-gallon) stainless steel, 2/3 steam jacketed unit operation from direct steam.

PROJECT NAME:

LOCATION:

ITEM NO:

QTY:

MODEL NO:

AIA NO:

SIS NO:

**CONSTRUCTION:** Kettle shall be of type 316 stainless steel, with solid one-piece welded construction. Unit shall be provided with a heavy, durable bar rim with a continuous seal weld on the underside to ensure maximum durability and sanitation. Unit provided with faucet bracket as standard.

**FINISH:** Interior of kettle shall be polished to a 180 emery grit finish. Exterior of kettle shall be finished to a bright high buff finish, ensuring maximum ease in cleaning and maintaining brilliant appearance.

**ASME CODE:** Unit shall be ASME shop-inspected, stamped and registered with the National Board for operation up to a maximum working pressure of 25 PSI.

**SANITATION:** Unit shall be designed and constructed to be NSF-listed, meeting NSF and all known health department and sanitation codes.

**DRAWOFF:** Unit shall have a 2" sanitary tangent drawoff which is a 316 stainless steel compression disc drain valve, for easy disassembly without tools. Larger 3" drawoff available. The drain outlet shall be equipped with a removable 1/4" perforated stainless steel strainer.

**COVER:** Cover furnished on 40-gallon and smaller units shall be hinged dome one-piece cover. 60 to 150-gallon units shall be furnished with No. 51 counterbalanced actuator, designed to maintain the cover in an open or closed position.

**STEAM PRESSURE:** Kettle shall operate dependably at any steam pressure between 5 and 25 PSI. Higher working pressures available.

**MOUNTING:** Unit shall be mounted on an all stainless steel pedestal base, with the outer circumference of the pedestal flanged down vertically to ensure proper sealing to the floor or deck.

**INSTALLATION:** Remote steam source required. Steam trap assembly is required and not provided unless ordered as an option. See dimension R on other side for steam inlet size and number.

**ORIGIN OF MANUFACTURE:** Designed and manufactured in the United States.

**SHORT FORM:** Stainless Steel 2/3 Steam Jacketed Kettle, Pedestal Mounted, Stationary, Direct Steam, 20 to 150-gallon capacities. (model PT-40 shown)

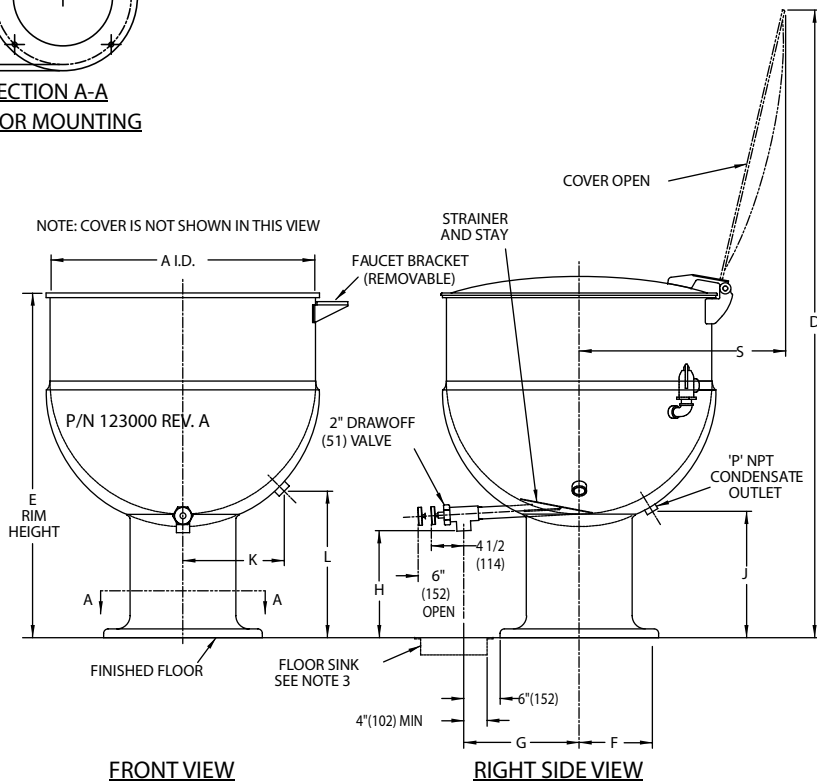
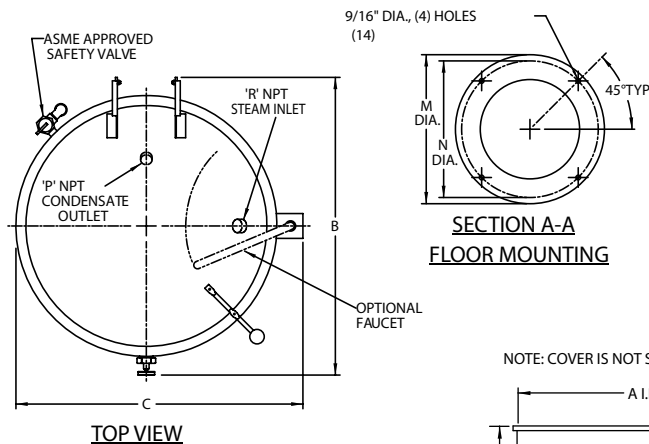


### OPTIONS/ACCESSORIES:

- Basket inserts (TRI-BC)
- Single pantry water faucet
- Double pantry water faucet
- Higher working pressure
- 3" tangent drawoff
- 1/8" perforated disc strainer
- 1/4" perforated disk strainer
- Solid disc strainer
- Cold water jacket cooling
- Steam trap assemblies
- Kettle brush kit
- Steam regulators
- Contour measuring strip
- Gallon etch marks
- Contour measuring strip
- Gallon etch marks



P/N 123000 REV A



**NOTES:**

1. MODEL #51 COUNTERBALANCED COVER FURNISHED ON KETTLES MEASURING 60 GALS. AND LARGER.
2. KETTLE MUST BE SECURELY ANCHORED TO THE FLOOR.
3. POSITION CENTER OF TANGENT DRAWOFF SPOUT 4-5" OVER FLOOR SINK FOR PROPER OPERATION.
4. DIMENSIONS IN BRACKETS ( ) ARE MM.

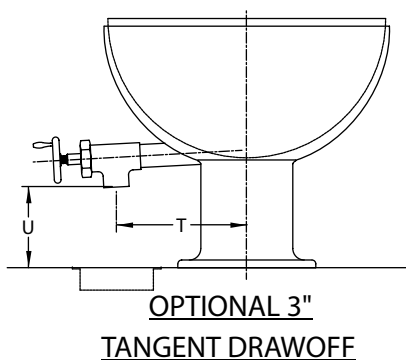


		TABLE OF DIMENSIONS													
DIM.	GAL. CAP.	20		40		60		80		100		125		150	
		INCH	MM	INCH	MM	INCH	MM	INCH	MM	INCH	MM	INCH	MM	INCH	MM
A		20	504	26	660	30	762	32	813	36	914	38	965	42	1067
B		26 1/4	667	31 3/4	806	36	914	39	991	40	1016	42	1067	46	1168
C		22	559	28	711	32	813	34	864	38	965	40	1016	44 1/2	1130
D		59	1499	65	1651	67	1702	73	1854	77	1956	83	2108	86	2184
E		36	914	36	914	39	991	43	1092	44	1118	48	1219	48	1219
F		5 1/2	140	7	178	8	203	8	203	8	203	12	305	12	305
G		12	305	13 1/4	343	14 1/2	368	14 1/2	368	14 1/2	368	17 1/2	445	17 1/2	445
H		15 1/2	400	11 3/4	298	11 3/4	298	11 3/4	298	11 3/4	298	11 3/4	298	11 3/4	298
J		17	432	14	356	13 1/2	343	14	356	14	356	16	406	16 1/2	419
K		8	203	10 1/4	260	11 1/2	292	12 1/4	311	13 1/2	343	14 1/4	362	15 3/4	362
L		18 3/4	476	15 3/4	400	16 1/4	413	16 1/2	419	17 1/2	445	17 1/2	445	18	457
M		12	305	16	406	18	457	18	457	18	457	24	610	24	610
N		10 1/4	260	14 1/2	368	16 1/2	419	16 1/2	419	16 1/2	419	22 1/2	572	22 1/2	572
P		1/2	13	1/2	13	1/2	13	3/4	19	3/4	19	3/4	19	3/4	19
R		1/2	13	3/4	19	3/4	19	1	25	1	25	1	25	1	25
S		18	457	25	635	-	-	-	-	-	-	-	-	-	-
T		14	356	16	406	17	432	17	432	17	432	20	508	20	508
U		14 3/4	375	10 3/4	273	10 3/4	273	10 3/4	273	10 3/4	273	10 3/4	273	10 3/4	273