



# DIRECT STEAM KETTLE

## FLOOR MOUNTED STATIONARY MODEL GT

Kettle shall be a Groen Model GT (Specify 40, 60, 80, 100, 125 or 150-gallon) stainless steel, full steam jacketed unit operating from direct steam.

PROJECT NAME:

LOCATION:

ITEM NO:

QTY:

MODEL NO:

AIA NO:

SIS NO:

### AVAILABLE MODELS:

- GT-40 (40 GALLON)
- GT-60 (60 GALLON)
- GT-80 (80 GALLON)
- GT-100 (100 GALLON)
- GT-125 (125 GALLON)
- GT-150 (150 GALLON)

**CONSTRUCTION:** Kettle shall be of 18.8 type 304 stainless steel exterior with solid one-piece welded construction and 316 stainless steel interior. Unit shall be furnished with a heavy reinforced bar rim with a continuous seal weld on the underside to ensure maximum durability and sanitation. Unit provided with faucet bracket as standard.

**FINISH:** Kettle interior shall be polished to a 180 emery grit finish. Exterior of kettle shall be finished to a bright high buff finish, ensuring maximum ease in cleaning and maintaining brilliant appearance.

**ASME CODE:** Unit shall be ASME shop-inspected, stamped and registered with the National Board for operation up to a maximum working pressure of 25 PSI.

**SANITATION:** Unit shall be designed and constructed to be NSF-listed, meeting NSF and all known health department and sanitation codes.

**DRAWOFF:** Kettle shall have a 2" sanitary tangent drawoff which is a 316 stainless steel compression disc drain valve, for easy disassembly without tools. Larger 3" drawoffs available. The drain outlet shall be equipped with a removable 1/4" perforated stainless steel strainer.

**COVER:** Cover shall be one piece stainless steel dome shaped cover, hinged and counterbalanced, with No. 51 spring assisted cover actuator.

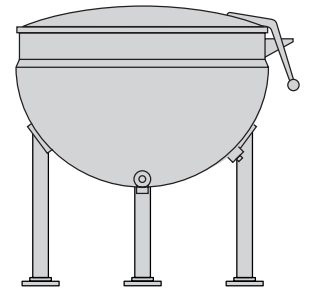
**STEAM PRESSURE:** Kettle shall operate dependably at any steam pressure between 5 and 25 PSI. Higher working pressures available.

**MOUNTING:** Kettle shall be mounted on stainless steel, tubular legs, continuously welded to kettle, with stainless steel adjustable floor flanges.

**INSTALLATION:** Remote steam source required. Steam trap assembly is required and not provided unless ordered as an option. See dimension on other side for steam inlet size and number.

**ORIGIN OF MANUFACTURE:** Designed and manufactured in the United States.

Stainless steel Full Steam Jacketed Kettle, Floor Mounted, Stationary, Direct Steam. 40-150 gallon capacities. Model GT shown.



### OPTIONS/ACCESSORIES:

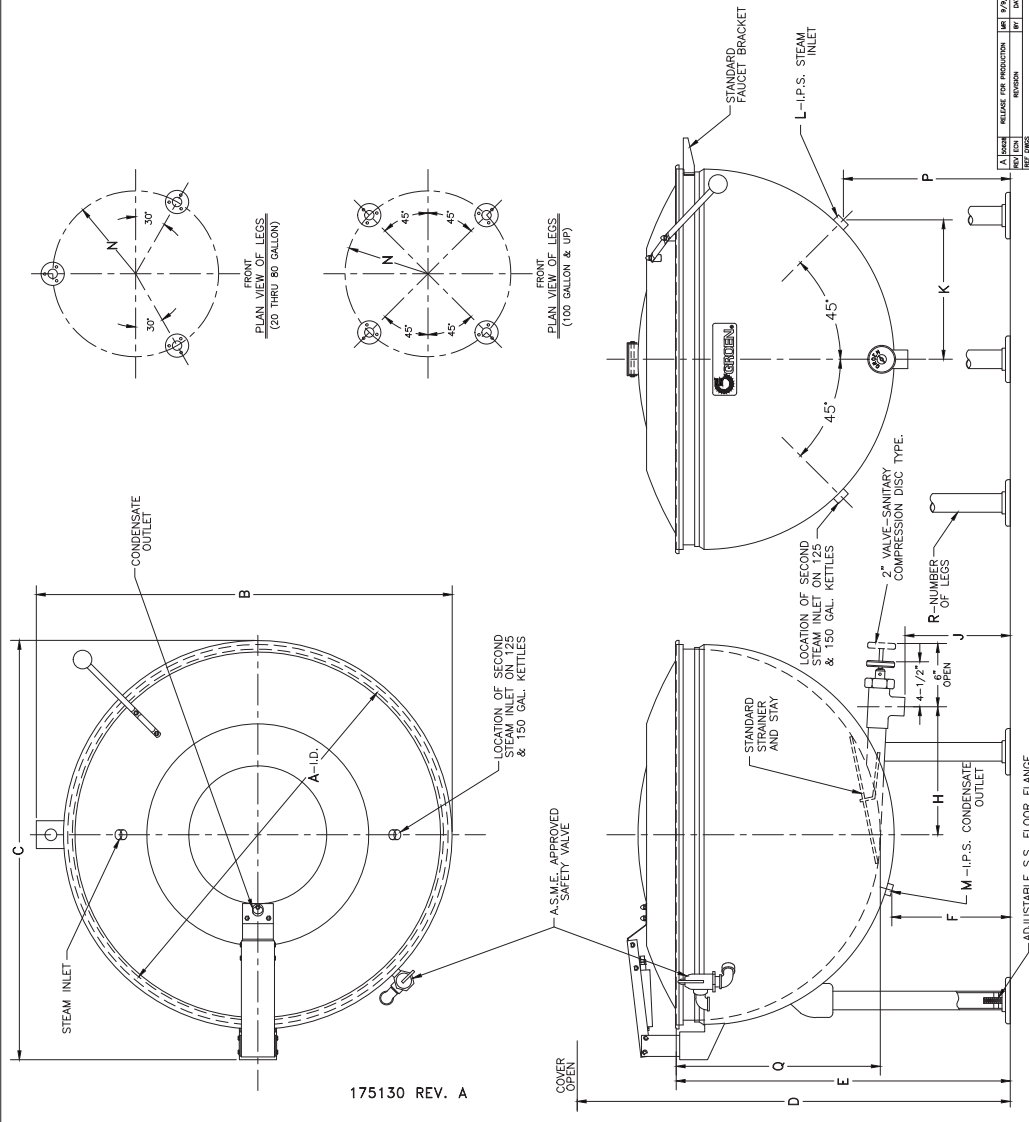
- Basket inserts
- Water fill faucets (single or double pantry)
- Higher working pressure
- 3" tangent drawoff valve
- 3" plug type drawoff valve
- Cold water cooling
- Steam trap assemblies
- Kettle brush kit



TABLE OF DIMENSIONS

CAP. GALS.	40		60		80		100		125		150	
	IN.	MM.	IN.	MM.	IN.	MM.	IN.	MM.	IN.	MM.	IN.	MM.
A	32	813	36	915	40	1016	44	1118	48	1219	50	1270
B	36	915	40	1016	44	1118	48	1219	52	1321	54	1372
C	38	972	42	1080	46	1175	50	1277	54	1378	56	1429
D	65	1651	69	1753	73	1855	79	2007	84	2134	89	2261
E	36	915	36	915	36	915	39	991	41	1042	44	1118
F	17	445	14	368	14	356	14	356	14	368	16	406
G	8	203	8	203	8	203	8	203	11	292	11	292
H	14	356	15	394	16	419	15	394	18	470	19	483
J	15	400	13	349	10	270	13	337	13	413	15	426
K	12	311	13	343	15	381	16	419	17	451	18	470
L	1	—	1	—	1	—	1	—	1	—	1	—
M	3	—	3	—	3	—	3	—	3	—	3	—
N	14	362	15	403	17	454	19	489	20	530	21	552
P	20	521	19	483	17	445	19	495	20	508	22	571
Q	18	457	20	514	22	559	23	597	25	648	26	673
R	3	—	3	—	3	—	3	—	3	—	3	—

- NOTES:
1. LEGS MUST BE SECURELY ANCHORED TO FLOOR.
  2. MODEL 51 COUNTERBALANCED COVER (ILLUSTRATED) IS STANDARD ON 40 TO 150 GALLON SIZES.



DATE: 9/7/18		REV. 1	
DRAWN: [Name]		P.E.S. [Name]	
CHECKED: [Name]		P.E.S. [Name]	
APPROVED: [Name]		P.E.S. [Name]	
unified brands A DOVER COMPANY			
PLANOGRAPH GT KETTLE			
P/N 175130			REV. A

P/N 175132 REV A



# DIRECT STEAM KETTLE

## PEDESTAL MOUNTED STATIONARY MODEL GPT

Kettle shall be a Groen Model GPT (Specify 40, 60, 80, 100, 125 or 150-gallon) stainless steel, full steam jacketed unit operating from direct steam.

### AVAILABLE MODELS:

- GPT-40 (40 GALLON)
- GPT-60 (60 GALLON)
- GPT-80 (80 GALLON)
- GPT-100 (100 GALLON)
- GPT-125 (125 GALLON)
- GPT-150 (150 GALLON)

**CONSTRUCTION:** Kettle shall be of 18.8 type 304 stainless steel exterior with solid one-piece welded construction and 316 stainless steel interior. Unit shall be furnished with a heavy reinforced bar rim with a continuous seal weld on the underside to ensure maximum durability and sanitation. Unit provided with faucet bracket as standard.

**FINISH:** Kettle interior shall be polished to a 180 emery grit finish. Exterior of kettle shall be finished to a bright high buff finish, ensuring maximum ease in cleaning and maintaining brilliant appearance.

**ASME CODE:** Unit shall be ASME shop-inspected, stamped and registered with the National Board for operation up to a maximum working pressure of 25 PSI.

**SANITATION:** Unit shall be designed and constructed to be NSF-listed, meeting NSF and all known health department and sanitation codes.

**DRAWOFF:** Kettle shall have a 2" sanitary tangent drawoff which is a 316 stainless steel compression disc drain valve, for easy disassembly without tools. Larger 3" drawoffs available. The drain outlet shall be equipped with a removable 1/4" perforated stainless steel strainer.

**COVER:** Cover shall be one piece stainless steel dome shaped cover, hinged and counterbalanced, with No. 51 spring assisted cover actuator.

**STEAM PRESSURE:** Kettle shall operate dependably at any steam pressure between 5 and 25 PSI. Higher working pressures available.

**MOUNTING:** Kettle shall be mounted on a stainless steel pedestal base with outer circumference of the pedestal flange down vertically to ensure proper sealing to floor or deck.

**INSTALLATION:** Remote steam source required. Steam trap assembly is required and not provided unless ordered as an option. See dimension on other side for steam inlet size and number.

**ORIGIN OF MANUFACTURE:** Designed and manufactured in the United States.

PROJECT NAME:

LOCATION:

ITEM NO:

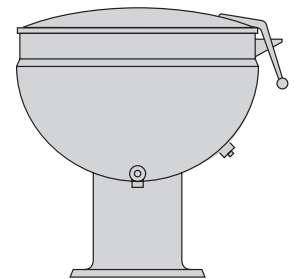
QTY:

MODEL NO:

AIA NO:

SIS NO:

Stainless steel Full Steam Jacketed Kettle, Pedestal Mounted, Stationary, Direct Steam. 40-150 gallon capacities. Model GPT shown.



### OPTIONS/ACCESSORIES:

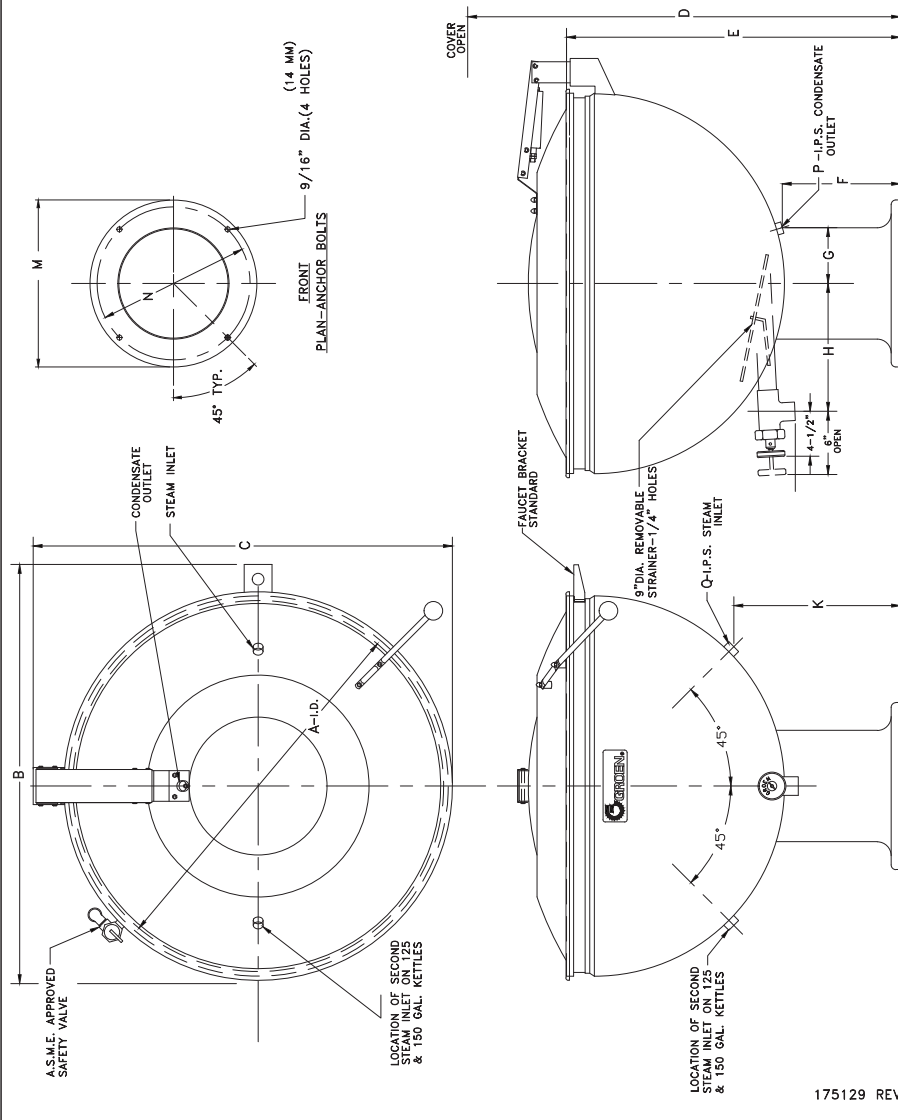
- Basket inserts
- Water fill faucets (single or double pantry)
- Higher working pressure
- 3" tangent drawoff valve
- 3" plug type drawoff valve
- Cold water cooling
- Steam trap assemblies
- Kettle brush kit



**TABLE OF DIMENSIONS**

CAPACITY (GALLONS/LITRES)		60/304		100/380		125/475		150/570		
IN	MM	IN	MM	IN	MM	IN	MM	IN	MM	
A	32	813	36	915	40	1016	44	1118	48	1219
B	36	915	40	1016	44	1118	48	1219	52	1321
C	36 1/2	972	42 1/2	1080	46 1/2	1175	50 1/2	1277	54 1/2	1378
D	65	1651	69	1753	73	1855	79	2007	84	2134
E	36	915	34	915	36	915	39	991	41	1042
F	17 1/2	445	14 1/2	368	14	356	14 1/2	368	16	406
G	8	203	8	203	8	203	11 1/2	292	11 1/2	292
H	14	356	15 1/2	394	15 1/2	394	18 1/2	470	19	483
J	15 3/4	400	13 3/4	349	11 1/2	299	13 1/2	337	16 1/2	413
K	20 1/2	521	19 1/2	483	17 1/2	445	19 1/2	495	20 3/4	508
L	12 1/4	311	13 1/2	343	15	381	16 1/2	419	17 1/2	451
M	18	457	18	457	18	457	24	607	24	607
N	16 1/2	419	16 1/2	419	16 1/2	419	22 1/2	572	22 1/2	572
P	1/2	12	1/2	12	1/2	12	1/2	12	1/2	12
Q	1	25	1	25	1	25	1	25	1	25

NOTES:  
1. PEDESTAL BASE MUST BE SECURELY ANCHORED TO FLOOR. (SEE ANCHOR BOLT PLAN)



MATERIAL		304	
FINISH		SATIN	
UNIFIED BRANDS		4.5\"/>	
DATE		9/7/18	
REVISED BY		J.P.	
REVISION		1	
P/N		175129	
REV. A			

P/N 175131 REV A