



DIRECT STEAM KETTLE

PEDESTAL MOUNTED STATIONARY MODEL GPT

Kettle shall be a Groen Model GPT (Specify 40, 60, 80, 100, 125 or 150-gallon) stainless steel, full steam jacketed unit operating from direct steam.

PROJECT NAME:

LOCATION:

ITEM NO:

QTY:

MODEL NO:

AIA NO:

SIS NO:

AVAILABLE MODELS:

- GPT-40 (40 GALLON)
- GPT-60 (60 GALLON)
- GPT-80 (80 GALLON)
- GPT-100 (100 GALLON)
- GPT-125 (125 GALLON)
- GPT-150 (150 GALLON)

CONSTRUCTION: Kettle shall be of 18.8 type 304 stainless steel exterior with solid one-piece welded construction and 316 stainless steel interior. Unit shall be furnished with a heavy reinforced bar rim with a continuous seal weld on the underside to ensure maximum durability and sanitation. Unit provided with faucet bracket as standard.

FINISH: Kettle interior shall be polished to a 180 emery grit finish. Exterior of kettle shall be finished to a bright high buff finish, ensuring maximum ease in cleaning and maintaining brilliant appearance.

ASME CODE: Unit shall be ASME shop-inspected, stamped and registered with the National Board for operation up to a maximum working pressure of 25 PSI.

SANITATION: Unit shall be designed and constructed to be NSF-listed, meeting NSF and all known health department and sanitation codes.

DRAWOFF: Kettle shall have a 2" sanitary tangent drawoff which is a 316 stainless steel compression disc drain valve, for easy disassembly without tools. Larger 3" drawoffs available. The drain outlet shall be equipped with a removable 1/4" perforated stainless steel strainer.

COVER: Cover shall be one piece stainless steel dome shaped cover, hinged and counterbalanced, with No. 51 spring assisted cover actuator.

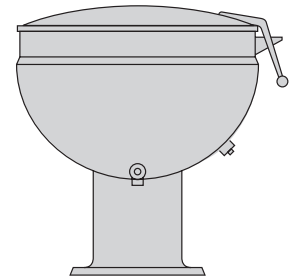
STEAM PRESSURE: Kettle shall operate dependably at any steam pressure between 5 and 25 PSI. Higher working pressures available.

MOUNTING: Kettle shall be mounted on a stainless steel pedestal base with outer circumference of the pedestal flange down vertically to ensure proper sealing to floor or deck.

INSTALLATION: Remote steam source required. Steam trap assembly is required and not provided unless ordered as an option. See dimension on other side for steam inlet size and number.

ORIGIN OF MANUFACTURE: Designed and manufactured in the United States.

Stainless steel Full Steam Jacketed Kettle, Pedestal Mounted, Stationary, Direct Steam. 40-150 gallon capacities. Model GPT shown.



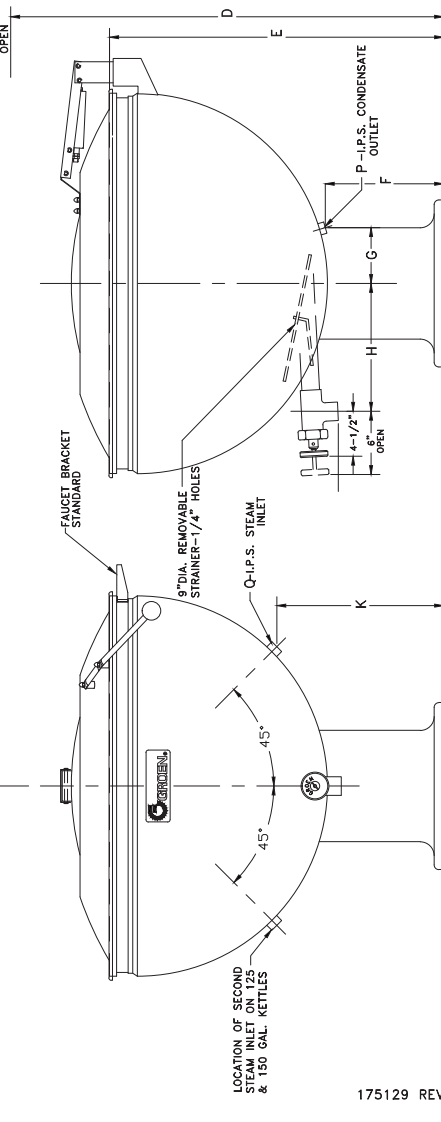
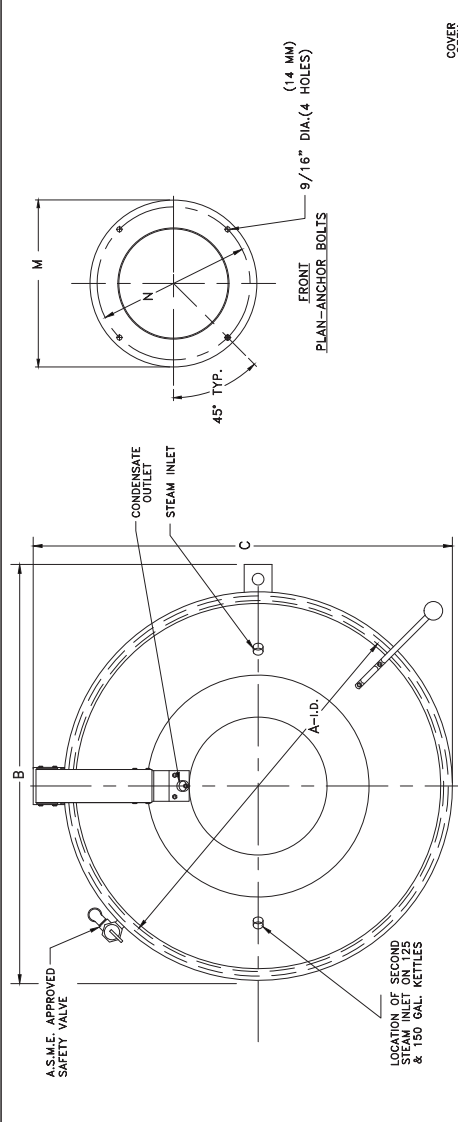
OPTIONS/ACCESSORIES:

- Basket inserts
- Water fill faucets (single or double pantry)
- Higher working pressure
- 3" tangent drawoff valve
- 3" plug type drawoff valve
- Cold water cooling
- Steam trap assemblies
- Kettle brush kit



TABLE OF DIMENSIONS

CAPACITY (GALLONS/LITRES)		60/304		100/380		125/475		150/570		
IN	MM	IN	MM	IN	MM	IN	MM	IN	MM	
A	32	813	36	915	40	1016	44	1118	48	1219
B	36	915	40	1016	44	1118	48	1219	52	1321
C	36 1/2	972	42 1/2	1080	46 1/2	1175	50 1/2	1277	54 1/2	1378
D	65	1651	69	1753	73	1855	79	2007	84	2134
E	36	915	34	915	36	915	39	991	41	1042
F	17 1/2	445	14 1/2	368	14	356	14 1/2	368	16	406
G	8	203	8	203	8	203	11 1/2	292	11 1/2	292
H	14	356	15 1/2	394	15 1/2	394	18 1/2	470	19	483
J	15 3/4	400	13 3/4	349	11 1/2	299	13 1/2	337	16 1/2	413
K	20 1/2	521	19 1/2	483	17 1/2	445	19 1/2	495	20 3/4	508
L	12 1/4	311	13 1/2	343	15	381	16 1/2	419	17 1/2	451
M	18	457	18	457	18	457	24	607	24	607
N	16 1/2	419	16 1/2	419	16 1/2	419	22 1/2	572	22 1/2	572
P	1/2	12.7	1/2	12.7	1/2	12.7	1/2	12.7	1/2	12.7
Q	1	25.4	1	25.4	1	25.4	1	25.4	1	25.4



NOTES:
1. PEDESTAL BASE MUST BE SECURELY ANCHORED TO FLOOR. (SEE ANCHOR BOLT PLAN)

MATERIAL		304		304		304		304	
FINISH		SATIN		SATIN		SATIN		SATIN	
UNIFIED BRANDS		UNIFIED BRANDS		UNIFIED BRANDS		UNIFIED BRANDS		UNIFIED BRANDS	
DATE		9/7/18		9/7/18		9/7/18		9/7/18	
REVISED		NONE		NONE		NONE		NONE	
DRAWN		J.P.		J.P.		J.P.		J.P.	
CHECKED		J.P.		J.P.		J.P.		J.P.	
7. MIN. RELEASE FOR PRODUCTION		1/1/18		1/1/18		1/1/18		1/1/18	
PER PROD		BY		BY		BY		BY	
DATE		DATE		DATE		DATE		DATE	
REV. A		REV. A		REV. A		REV. A		REV. A	
P/N		175129		175129		175129		175129	
REV. A		REV. A		REV. A		REV. A		REV. A	

P/N 175131 REV A