



DIRECT STEAM KETTLE

PEDESTAL MOUNTED STATIONARY MODEL GPT

Kettle shall be a Groen Model GPT (Specify 40, 60, 80, 100, 125 or 150-gallon) stainless steel, full steam jacketed unit operating from direct steam.

PROJECT NAME:

LOCATION:

ITEM NO:

QTY:

MODEL NO:

AIA NO:

SIS NO:

AVAILABLE MODELS:

- GPT-40 (40 GALLON)
- GPT-60 (60 GALLON)
- GPT-80 (80 GALLON)
- GPT-100 (100 GALLON)
- GPT-125 (125 GALLON)
- GPT-150 (150 GALLON)

CONSTRUCTION: Kettle shall be of 18.8 type 304 stainless steel exterior with solid one-piece welded construction and 316 stainless steel interior. Unit shall be furnished with a heavy reinforced bar rim with a continuous seal weld on the underside to ensure maximum durability and sanitation. Unit provided with faucet bracket as standard.

FINISH: Kettle interior shall be polished to a 180 emery grit finish. Exterior of kettle shall be finished to a bright high buff finish, ensuring maximum ease in cleaning and maintaining brilliant appearance.

ASME CODE: Unit shall be ASME shop-inspected, stamped and registered with the National Board for operation up to a maximum working pressure of 25 PSI.

SANITATION: Unit shall be designed and constructed to be NSF-listed, meeting NSF and all known health department and sanitation codes.

DRAWOFF: Kettle shall have a 2" sanitary tangent drawoff which is a 316 stainless steel compression disc drain valve, for easy disassembly without tools. Larger 3" drawoffs available. The drain outlet shall be equipped with a removable 1/4" perforated stainless steel strainer.

COVER: Cover shall be one piece stainless steel dome shaped cover, hinged and counterbalanced, with No. 51 spring assisted cover actuator.

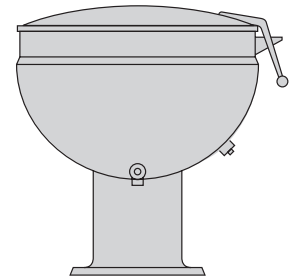
STEAM PRESSURE: Kettle shall operate dependably at any steam pressure between 5 and 25 PSI. Higher working pressures available.

MOUNTING: Kettle shall be mounted on a stainless steel pedestal base with outer circumference of the pedestal flange down vertically to ensure proper sealing to floor or deck.

INSTALLATION: Remote steam source required. Steam trap assembly is required and not provided unless ordered as an option. See dimension on other side for steam inlet size and number.

ORIGIN OF MANUFACTURE: Designed and manufactured in the United States.

Stainless steel Full Steam Jacketed Kettle, Pedestal Mounted, Stationary, Direct Steam. 40-150 gallon capacities. Model GPT shown.



OPTIONS/ACCESSORIES:

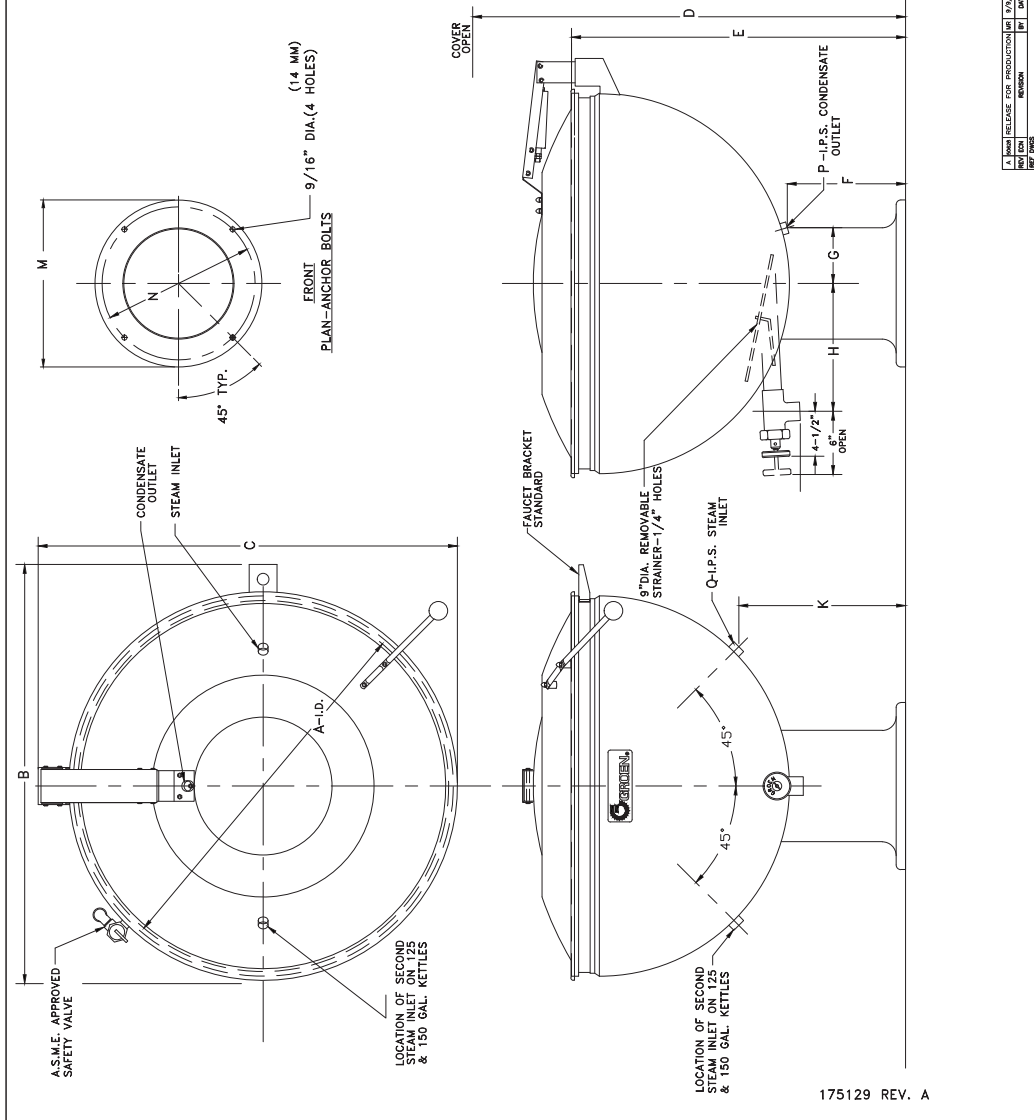
- Basket inserts
- Water fill faucets (single or double pantry)
- Higher working pressure
- 3" tangent drawoff valve
- 3" plug type drawoff valve
- Cold water cooling
- Steam trap assemblies
- Kettle brush kit



TABLE OF DIMENSIONS

CAPACITY (GALLONS/LITRES)		60/304		100/380		125/475		150/570		
IN	MM	IN	MM	IN	MM	IN	MM	IN	MM	
A	32	813	36	915	40	1016	44	1118	48	1219
B	36	915	40	1016	44	1118	48	1219	52	1321
C	36	915	40	1016	44	1118	48	1219	52	1321
D	65	1651	69	1753	73	1855	79	2007	84	2134
E	36	915	34	915	36	915	39	991	41	1042
F	17	445	14	356	14	356	14	356	14	356
G	8	203	8	203	8	203	11	292	11	292
H	14	356	15	394	15	394	15	394	18	470
J	15	400	13	349	11	299	13	337	16	413
K	20	521	19	483	17	445	19	495	20	508
L	12	311	13	343	15	381	16	419	17	451
M	18	457	18	457	18	457	24	607	24	607
N	16	419	16	419	16	419	16	419	22	572
P	1/2	12.7	1/2	12.7	1/2	12.7	1/2	12.7	1/2	12.7
Q	1	25.4	1	25.4	1	25.4	1	25.4	1	25.4

NOTES:
 1. PEDESTAL BASE MUST BE SECURELY ANCHORED TO FLOOR. (SEE ANCHOR BOLT PLAN)



175129 REV. A

MATERIAL		304	
FINISH		SATIN	
UNIFIED BRANDS		4.5\"/>	
DATE		9/7/18	
REVISED BY		J.P.	
REVISION		NONE	
P.N.		175129	
REV. A			

7. MIN. RELEASE FOR PRODUCTION		1/1/18	
REVISION		NONE	
BY		J.P.	
DATE		9/7/18	

P/N 175131 REV A