

GAS HOT PLATE

Project Date Models **HPCP212, HPCP424, HPCP636** Item# Quantity



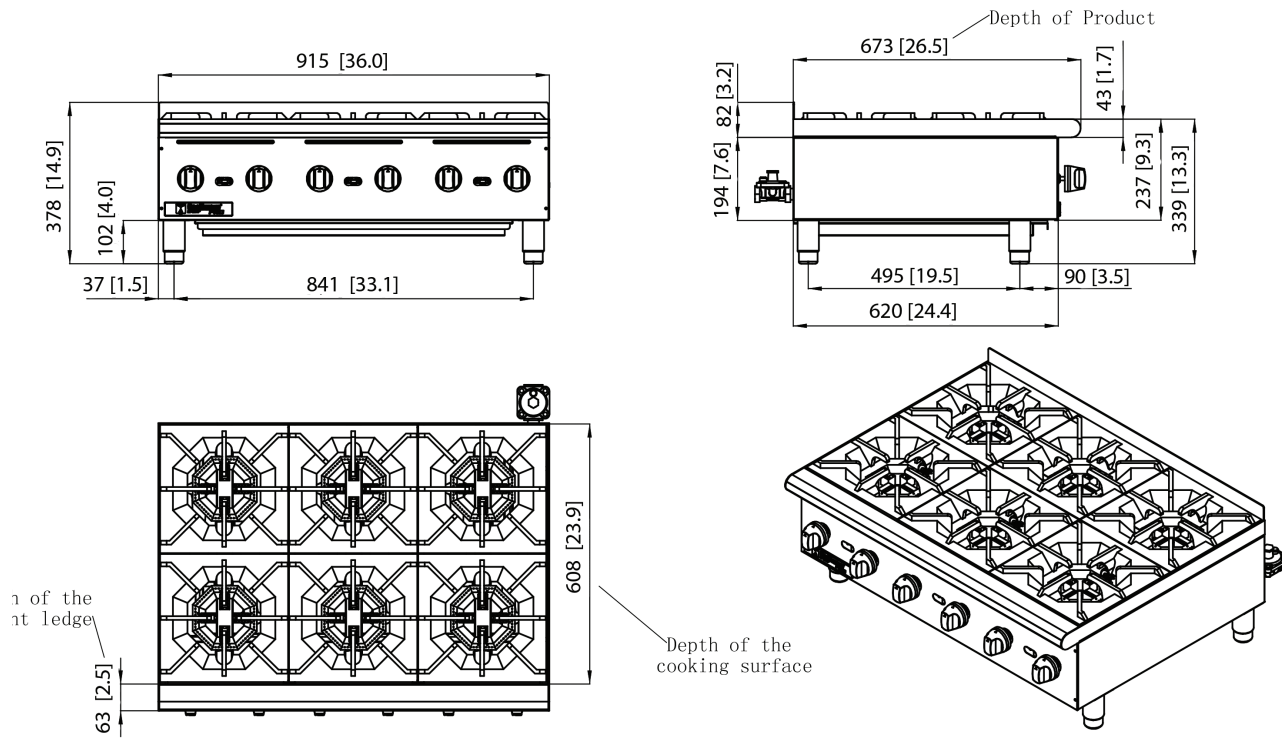
model HPCP636

Features

- Sleek, long-wearing, stainless steel construction for long life and easy maintenance
- All models can be operated using natural or LP gas (conversion kit included)
- Individually controlled burners with 44,000 BTUs per foot
- Heavy-duty cast iron trivets for a sturdy work surface
- Countertop units with 23.6" depth available in three widths:
 - 12" wide with 2 burners
 - 24" wide with 4 burners
 - 36" wide with 6 burners
- Easy access front panel pilot adjustments
- Durable anti-clogging dual-ported burners
- Ergonomically rounded front bullnose, 1¾" sturdy non-marring stainless steel legs
- Industrial metal knobs

Models & Dimensions

Gas Hot Plate



model HPCP636 represented measurements in mm [inches]

Specifications

Model	Cooking Surface (W x D)	No. of Burners	Power	Product Dimensions (H x W X D)	Ship Dimensions (H x W X D)	Ship Weight
HPCP212 (6200-2000)	12" x 20" 30.5 cm x 51 cm	2	44,000 BTUs	13.4" x 12.0" x 30.3" 34 cm x 30.5 cm x 77 cm	17.99" x 16.65" x 30.91" 45.7 cm x 42.3 cm x 78.5 cm	70 lbs. 32 kg.
HPCP424 (6200-4000)	24" x 20" 60.6 cm x 51 cm	4	88,000 BTUs	13.4" x 24.0" x 30.3" 34 cm x 61 cm x 77 cm	17.99" x 28.54" x 30.91" 45.7 cm x 72.5 cm x 78.5 cm	123 lbs. 56 kg.
HPCP636 (6200-6000)	36" x 20" 91.1 cm x 51 cm	6	132,000 BTUs	13.4" x 36.0" x 30.3" 34 cm x 91.4 cm x 77 cm	17.99" x 40.67" x 30.91" 45.7 cm x 103.3 cm x 78.5 cm	176 lbs. 80 kg.

