

Project: _____	AIA# _____
Item #: _____ Qty: _____	SIS# _____
Model #: _____	

Drainboard Half Cabinets

See reverse side for model number key



DBHA-18-LD



Intertek

4004503

Conforms to ANSI/NSF STD 2

Standard Features

- All stainless steel construction
- Adjustable stainless steel bullet feet
- One-piece, seamless top and backsplash featuring 1/4" radius corners for easy cleaning
- Door features integral handle
- Lock standard on models with a door
- Available without door (add suffix '-LD' to model number)
- Work surface consists of a drainboard top with drain pan and separate perforated insert for better air circulation
- Floor is still removable after unit is plumbed and includes radius corners for easy cleaning.
- Plumbing connection is made underneath the unit and does not interfere with shelf
- Smooth interior walls for easy cleaning and a finished appearance
- All storage is on a level plane

To view underbar installation instructions, please visit: https://www.glastender.com/PDF/F-750-165_Underbar_Installation_Instructions.pdf
 To view cleaning and care instructions, please visit: https://www.glastender.com/PDF/F-423-011_ss_clean_care.pdf

Specifications

Drain

- 1-1/2" I.P.S. Threaded drain will fit Dearborn part #8033 slipnut and part #W-573P washer.

Legs

- 1-5/8" diameter, 16 gauge stainless steel
- Stainless steel bullet feet

Materials

- 20 gauge stainless steel parts include: all components unless otherwise noted
- 18 gauge stainless steel parts include: leg pads

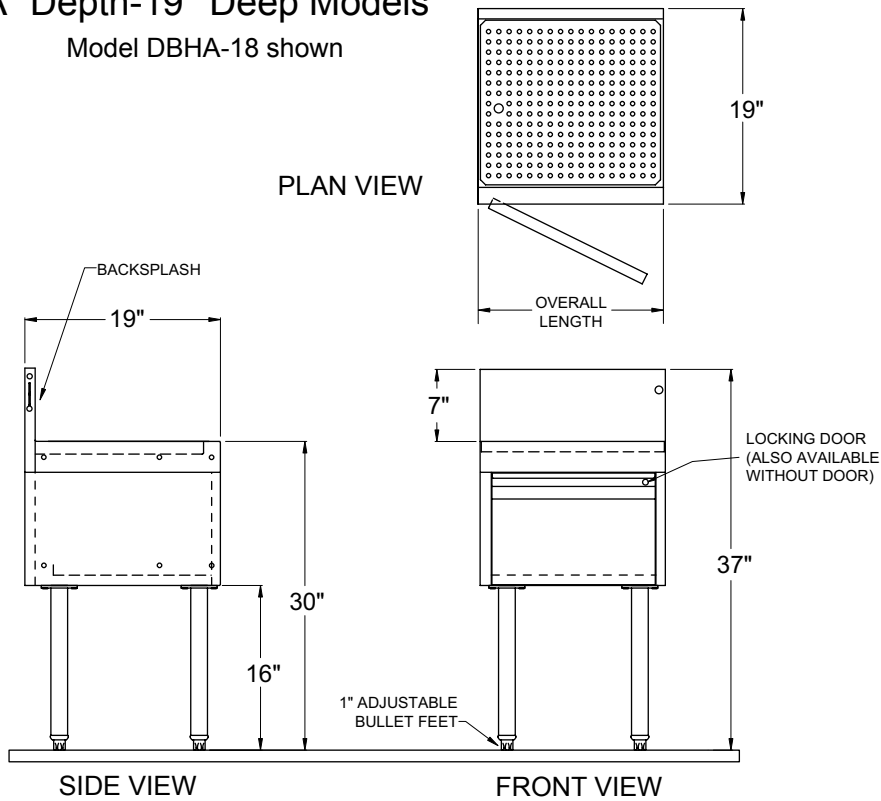
<p>Glastender, Inc. • 5400 N Michigan Rd • Saginaw, MI • 48604-9780 989.752.4275 • 800.748.0423 • Fax 989.752.4444 www.glastender.com</p>	Approval/Notes:
<p><small>Specifications subject to change without notice. For current specifications please visit our website.</small></p>	

Drainboard Half Cabinets

Dimensional Information

"A" Depth-19" Deep Models

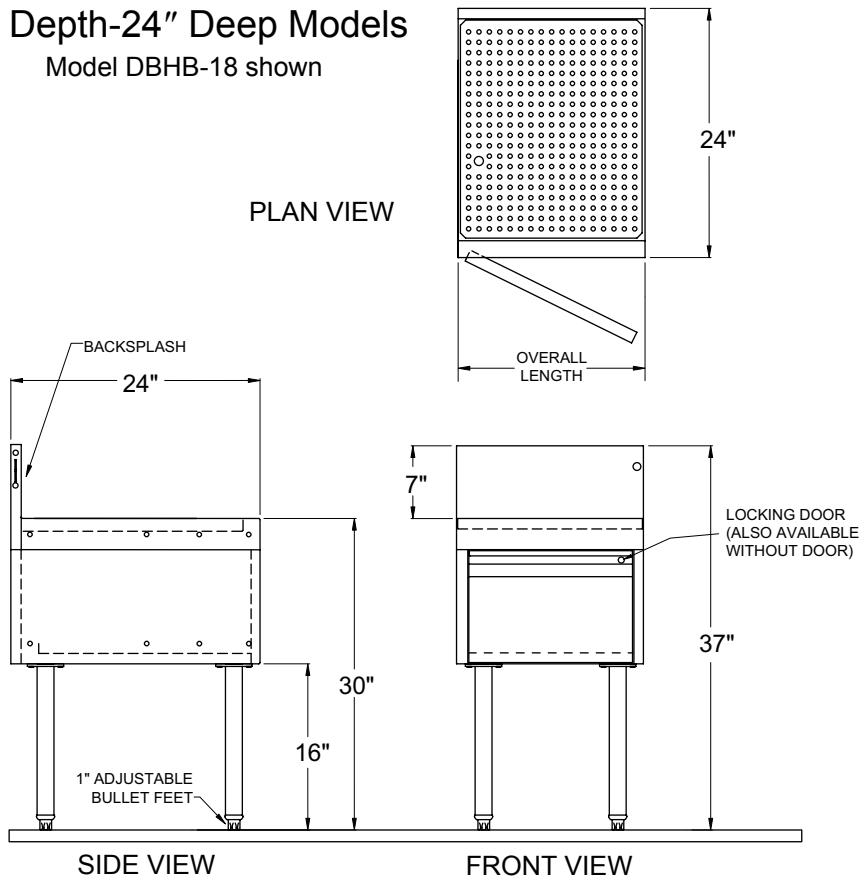
Model DBHA-18 shown



Model Number	Overall Length	Door
DBHA-12	12"	Yes
DBHA-18	18"	Yes
DBHA-24	24"	Yes
DBHA-12-LD	12"	No
DBHA-18-LD	18"	No
DBHA-24-LD	24"	No

"B" Depth-24" Deep Models

Model DBHB-18 shown



Model Number	Overall Length	Door
DBHB-12	12"	Yes
DBHB-18	18"	Yes
DBHB-24	24"	Yes
DBHB-12-LD	12"	No
DBHB-18-LD	18"	No
DBHB-24-LD	24"	No



5400 N Michigan Rd • Saginaw, MI • 48604-9780
 989.752.4275 • 800.748.0423 • Fax 989.752.4444
www.glastender.com