

Project: _____	AIA# _____
Item #: _____ Qty: _____	SIS# _____
Model #: _____	

Clip-On Wet Wastes

CWET-24, CWET-30, CWET-GW

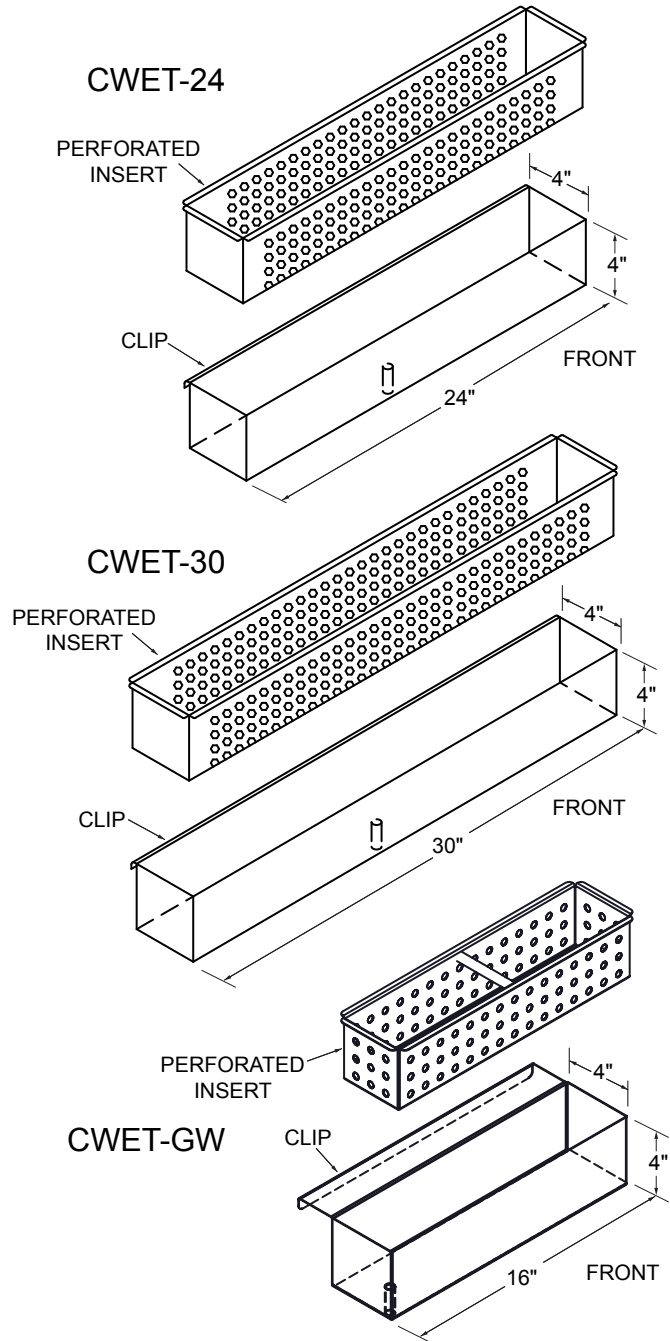
Dimensional Information



CWET-24
(shown installed to the front of a GT-24-CCW)

Standard Features

- CWET-24 designed to clip on to the front or side of the GT-24
- CWET-30 designed to clip on to the front or side of the GT-30
- CWET-GW designed to clip on the front ONLY of the GW24 (no provision to clip on side)
- Constructed of 18 ga. stainless steel
- Includes removable stainless steel perforated insert
- 1/2" welded tailpiece drain



To view cleaning and care instructions, please visit:
https://www.glastender.com/PDF/F-423-011_ss_clean_care.pdf

Glastender, Inc. • 5400 North Michigan Road • Saginaw, MI • 48604-9780 989.752.4275 • 800.748.0423 • Fax 989.752.4444 www.glastender.com	Approval/Notes:
Specifications subject to change without notice. For current specifications please visit our website.	