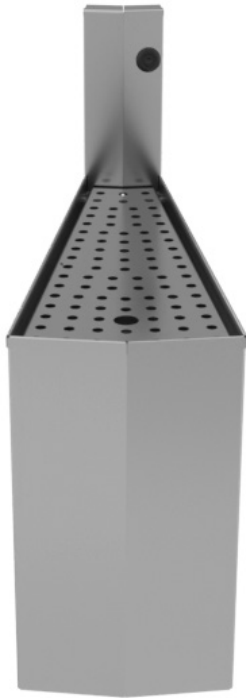


# Glastender®

A family company manufacturing in the USA

[www.glastender.com](http://www.glastender.com)



COWA-15



**Intertek**

4004503

Conforms to ANSI/NSF STD 2

## Specifications

### Drain

- 1/2" welded tailpiece drain

### Materials

- 20 gauge stainless steel

Project: _____	AIA# _____
Item #: _____ Qty: _____	SIS# _____
Model #: _____	

## Corner Outside Wedge Drainboards

**COW**

COWA-15, COWA-30, COWA-45, COWA-60,  
COWA-75, COWB-15, COWB-30, COWB-45,  
COWB-60, COWB-75

### Standard Features

- All stainless steel
- Designed to mount between two adjacent pieces of Glastender underbar equipment (unless optional legs are used, see configurable options)
- Drain pan with separate perforated insert for better air circulation
- 1/4" radius work surface corners for easy cleaning

### Configurable Options

- Leg set for one side mounting

**Glastender, Inc.** • 5400 N Michigan Rd • Saginaw, MI • 48604-9780  
989.752.4275 • 800.748.0423 • Fax 989.752.4444  
[www.glastender.com](http://www.glastender.com)

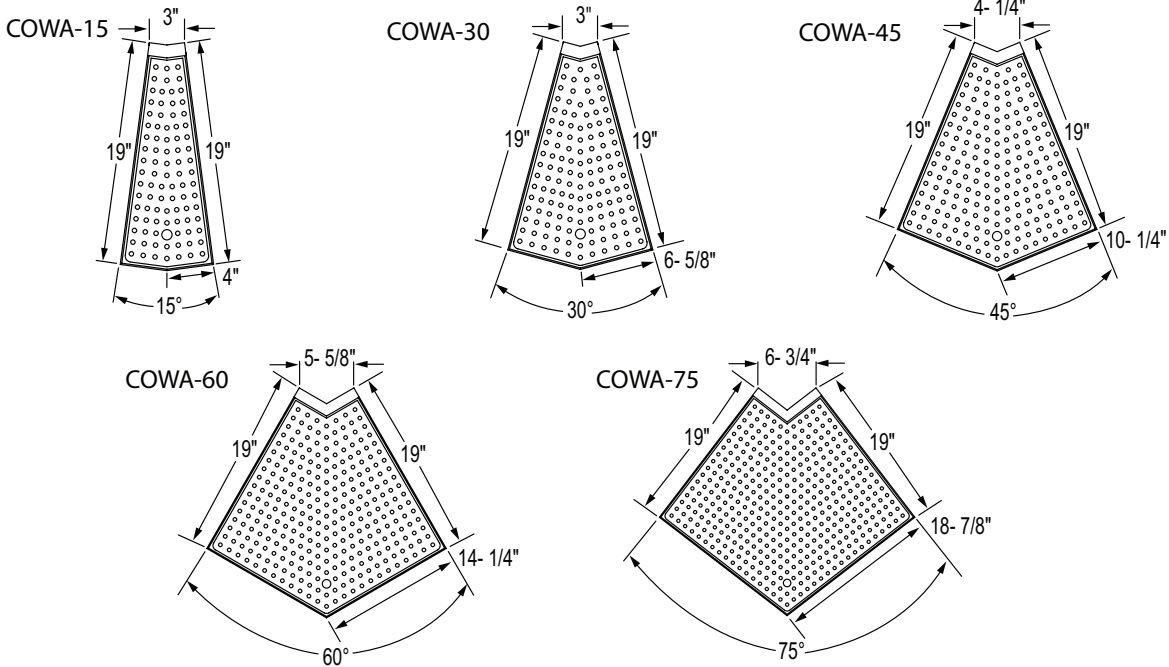
Approval/Notes:

Specifications subject to change without notice. For current specifications please visit our website.

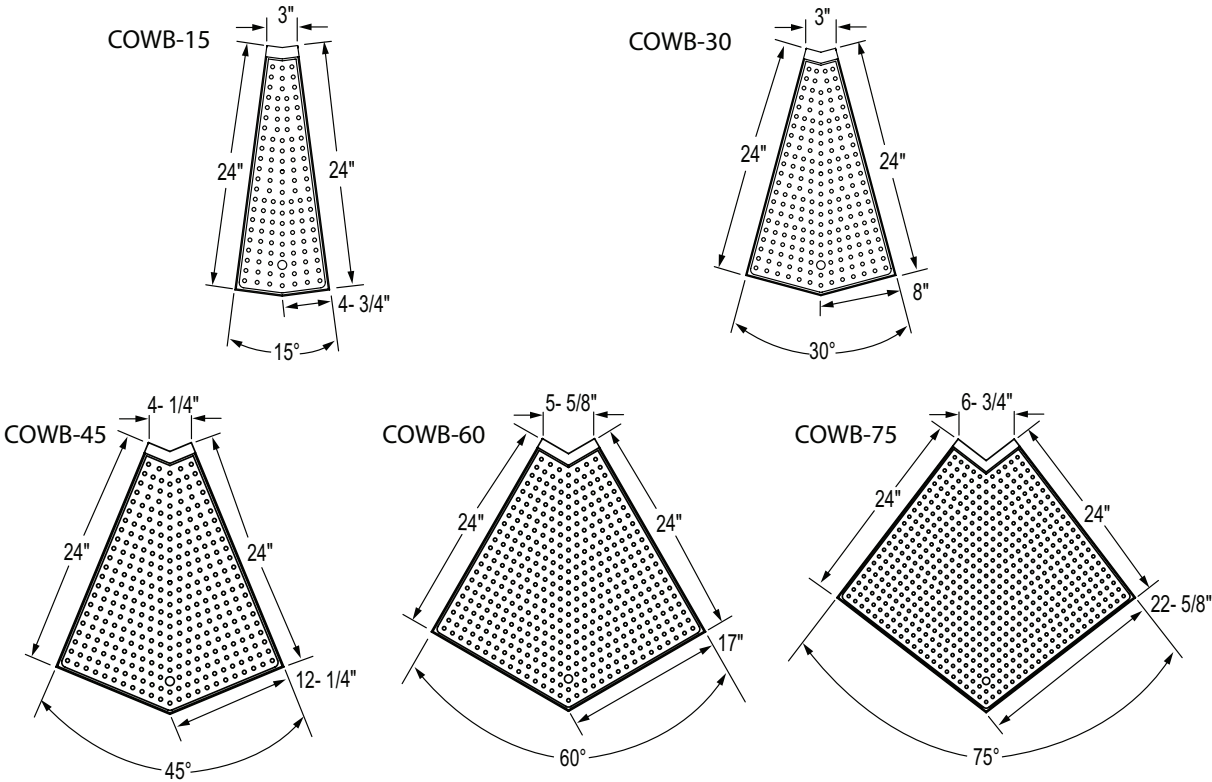
# Corner Outside Wedge Drainboards

## Dimensional Information

"A" Depth-19" Deep  
PLAN VIEWS



"B" Depth-24" Deep  
PLAN VIEWS



5400 N Michigan Rd • Saginaw, MI • 48604-9780  
989.752.4275 • 800.748.0423 • Fax 989.752.4444  
www.glastender.com