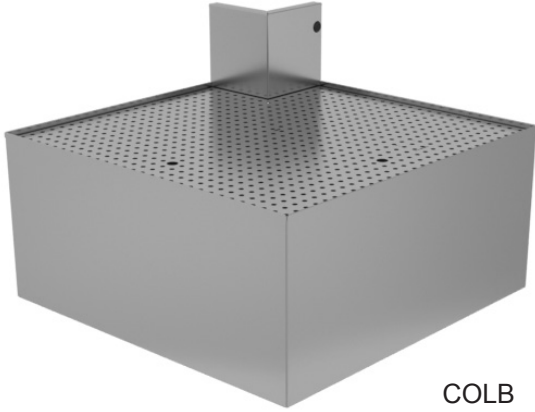




A family company manufacturing in the USA

www.glastender.com



COLB



4004503
Conforms to ANSI/NSF STD 2

Specifications

Drain

- 1/2" welded tailpiece drain

Materials

- 20 gauge stainless steel

Project: _____	AIA# _____
Item #: _____ Qty: _____	SIS# _____
Model #: _____	

Corner Outside L Shape Drainboards

COLB	COLB, COLB-LN
-------------	---------------

Standard Features

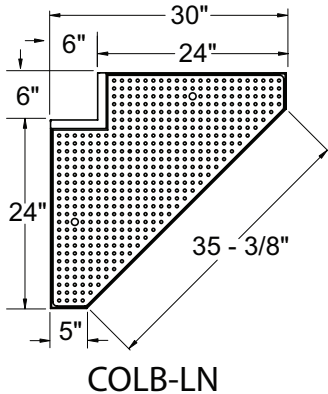
- All stainless steel
- Designed to mount between two adjacent pieces of Glastender underbar equipment (unless optional legs are used, see configurable options)
- Drain pan with separate perforated insert for better air circulation
- 1/4" radius work surface corners for easy cleaning

Configurable Options

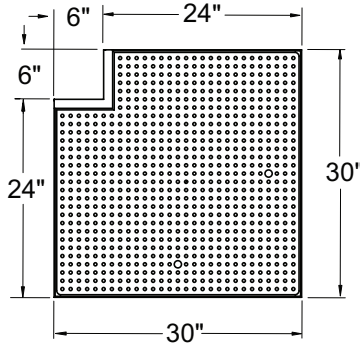
- Leg set for one side mounting
- Leg set for freestanding

Drawing Information

PLAN VIEWS



COLB-LN



COLB

<p>Glastender, Inc. • 5400 N Michigan Rd • Saginaw, MI • 48604-9780 989.752.4275 • 800.748.0423 • Fax 989.752.4444 www.glastender.com</p>	<p>Approval/Notes:</p>
<p>Specifications subject to change without notice. For current specifications please visit our website.</p>	