



Project: _____	AIA# _____
Item #: _____ Qty: _____	SIS# _____
Model #: _____	

Single Speed Rails & Locking Covers

Model numbers on reverse side

Standard Features

- All stainless steel construction
- Available in custom lengths up to 72". NOTE: Custom lengths are manufactured to order and are not returnable.
- Locking covers are available in custom lengths up to 48". For longer speed rails order two covers at half the length.
- Also available in double step models - see spec C-DR



C-SR-18

Specifications

Materials

- 20 gauge stainless steel parts include: steps, rails, and locking cover
- 14 gauge stainless steel parts include: ends



C-SRC-18



C-SRC-18
shown installed on
single speed rail

To view cleaning and care instructions, please visit:
https://www.glastender.com/PDF/F-423-011_ss_clean_care.pdf

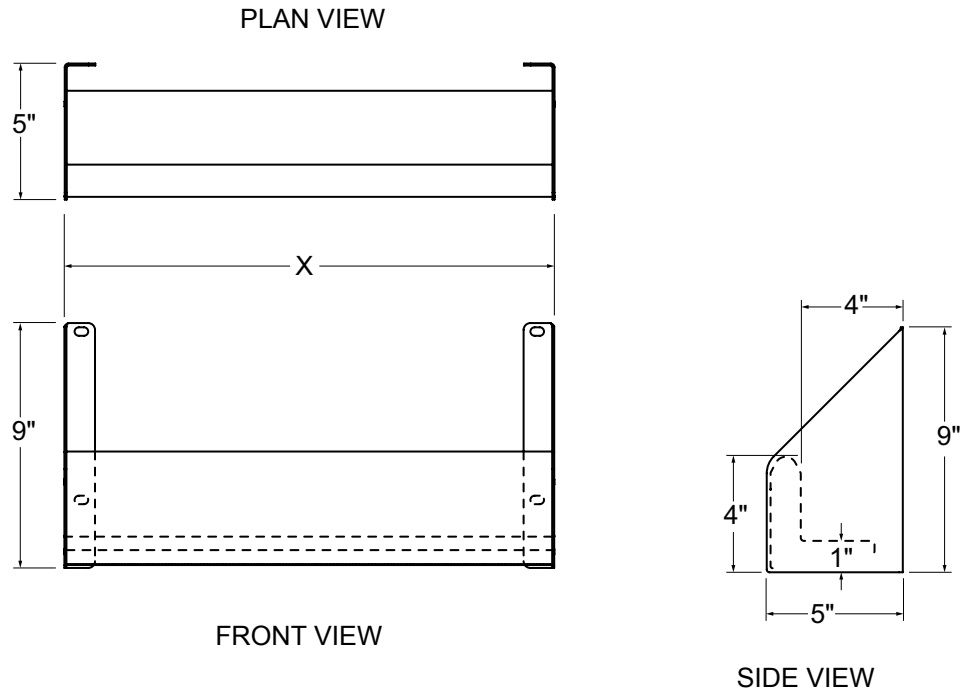
<p>Glastender, Inc. • 5400 North Michigan Road • Saginaw, MI • 48604-9780 989.752.4275 • 800.748.0423 • Fax 989.752.4444 www.glastender.com</p>	Approval/Notes:
<p>Specifications subject to change without notice. For current specifications please visit our website.</p>	

Choice Single Speed Rails & Locking Covers

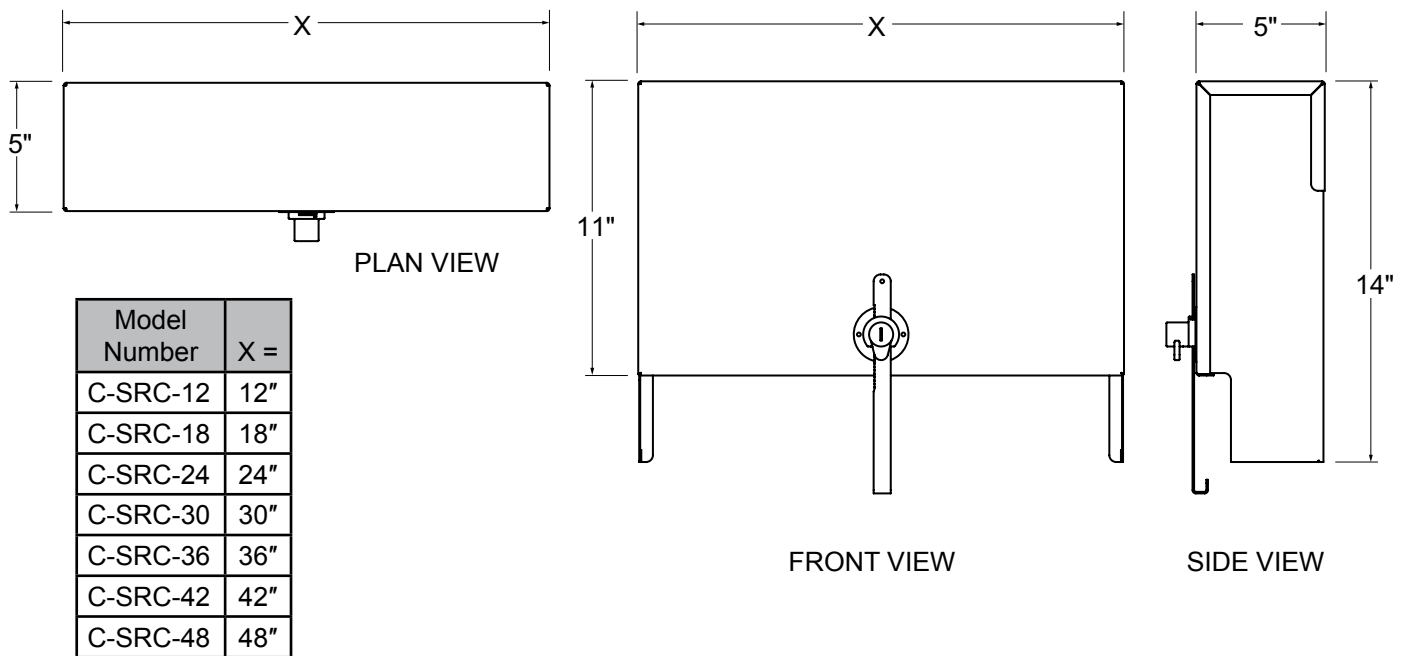
Dimensional Information

C-SR Model C-SR-18 shown

Model Number	X =
C-SR-12	12"
C-SR-18	18"
C-SR-24	24"
C-SR-30	30"
C-SR-36	36"
C-SR-42	42"
C-SR-48	48"
C-SR-54	54"
C-SR-60	60"
C-SR-66	66"
C-SR-72	72"



C-SRC Model C-SRC-18 shown



Model Number	X =
C-SRC-12	12"
C-SRC-18	18"
C-SRC-24	24"
C-SRC-30	30"
C-SRC-36	36"
C-SRC-42	42"
C-SRC-48	48"