



BDS

PRODUCT INFORMATION

(see BDS Spec Sheet for complete details)

STANDARD FEATURES:

- Reduces volume of glass bottle waste by as much as 85%
- Disintegrates beer, wine, and liquor bottles up to 4" in diameter and 14" in height
- The 4-gallon bucket holds approximately 43 lbs. when full and is accessible for emptying by opening the front door (two buckets included)
- Compact design fits easily under the bar or in a service station
- It takes mere seconds to crush a bottle and is no louder than a standard blender
- Stainless steel interior and exterior resists corrosion and is easy to keep clean
- Includes safety interlock switches to ensure safe operation. The unit shuts down and a red indicator light is illuminated if the front access door is open or the bucket is not in place.
- Multi-level baffle system on feed chute and gasket seal to maximize glass containment
- Green indicator light identifies when unit is running
- Easy operation - simply turn it on and push a bottle down the feed chute
- Includes locking casters so unit can be easily moved for cleaning

Bottle Disintegration

BDS

MODEL	LIST	WEIGHT	WIDTH	DEPTH	HEIGHT
BDS	\$7,645	185#	20"	22"	38"



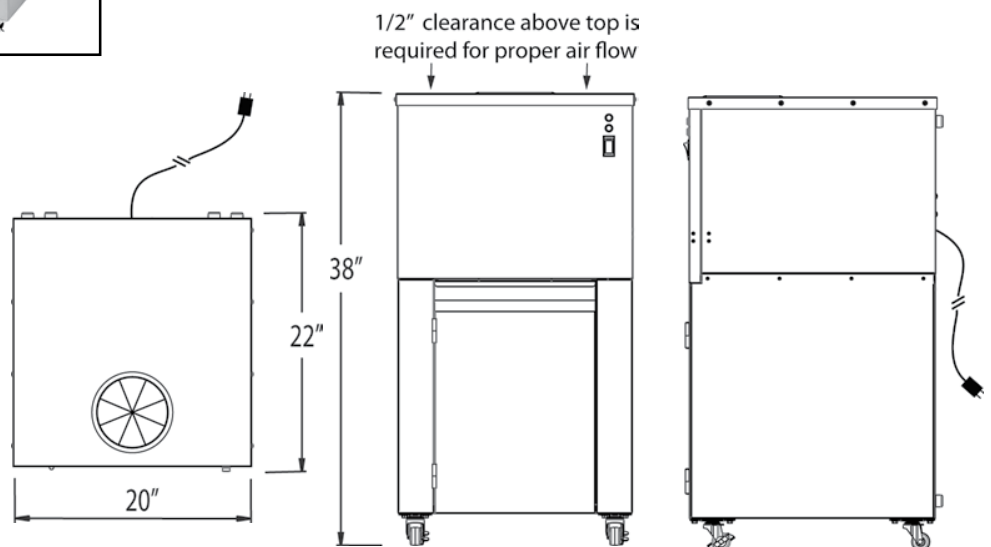
BDS with door open showing access to bucket

ACCESSORIES

MODEL	DESCRIPTION	LIST	WEIGHT
CE-BDS	Convert to 220V/50Hz or 220V/60Hz electrical	\$715	185#
14000053	Bucket (additional)	\$43	5#



14000053



PLAN VIEW

FRONT ELEVATION

SIDE VIEW