



36 E Series Heavy Duty Range Attachment

Item: _____

Quantity: _____

Project: _____

Approval: _____

Date: _____

36 E Series Heavy Duty Range Attachment

Models:

36ES15

Range Attachment With
2 Boil Section Top



Model 36ES15

Standard Features:

- Stainless steel front and sides
- Stainless steel front rail
- 18" (457mm) boiling plate controlled by two (2), three-heat switches.
- Storage base with stainless steel door
- 6" (152mm) adjustable chrome plated legs (NSF)
- One Year limited parts & labor (USA & Canada)
- Available in single phase wiring only

Optional Features:

- Stainless steel main back (S models)
- Swivel casters complete with front brakes (4)
- 6" (152mm) adjustable stainless steel legs.
- High voltage 460V
- Marine equipment - hand rails, drip tray stop and deck fasteners

NOTE: Attachments supplied with casters must be installed with an approved restraining device.

Specifications:

Heavy-duty electric range attachment Model 36ES15 with boiling plate top and cabinet base. 18" (457mm) x 24" (610mm) top consists of two heat zones, each controlled by three heat switch, single phase only. Stainless steel front and sides. Attachments are available with casters or for dais mount. Model



Garland Commercial Ranges Ltd.
1177 Kamato Road,
Mississauga, Ontario
L4W 1X4 CANADA

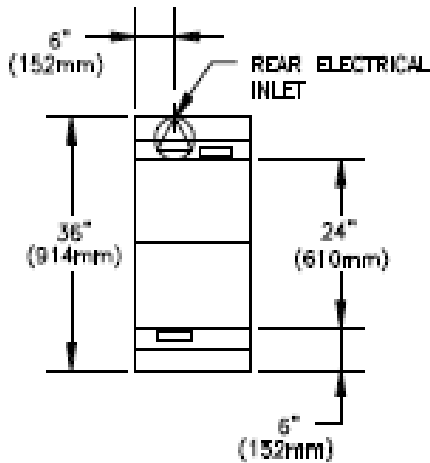
General Inquires 1-905-624-0260
USA Sales, Parts and Service 1-800-424-2411
Canadian Sales 1-888-442-7526
Canada or USA Parts/Service 1-800-427-6668



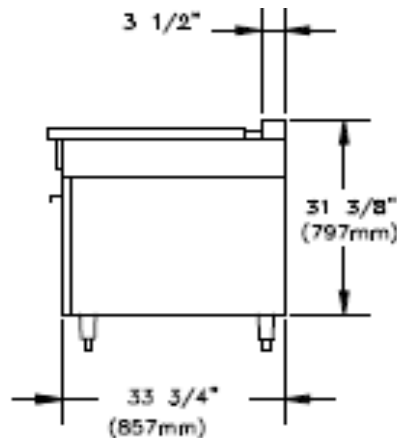
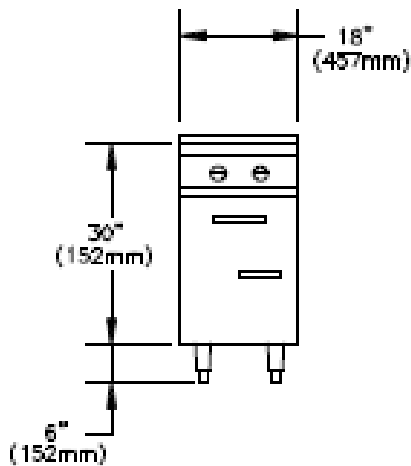
MODEL	TOTAL kW	NOMINAL AMPERES PER LINE		
		SINGLE PHASE		
		208V	240V	460V
36ES15	6.0	29	25	13

CLEARANCES			
ENTRY		TO COMBUSTIBLE WALL	
CRATED	UNCRATED	SIDES	REAR
20-3/4" (527mm)	18-1/4" (464mm)	3" (76mm)	1/2" (13mm)

Shipping Information		
Model	Wt. Lb/Kg	Cu Ft
36ES15	255/116	28



Garland products are not approved or authorized for home or residential use, but are intended for commercial applications only. Garland will not provide service, warranty, maintenance or support of any kind other than in commercial applications.



Form# 36ES15 (03/26/13)