

APPLICATION:

JOB NAME:

PRODUCT NAME:

8" C/C BACKSPLASH FAUCET

90530 **SPECIAL CONFIGURATION**
CHECK BASE MODEL AND OPTIONS

QUANTITY: **ITEM NO.**

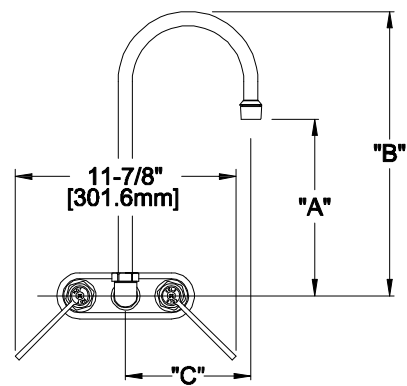
MODEL:

3615 4" C/C BACKSPLASH W/ 12" SGN

3616 4" C/C BACKSPLASH W/ 12" RGN

1996 4" C/C BACKSPLASH W/ 6" SGN

2003 4" C/C BACKSPLASH W/ 6" RGN



MODEL	DIM "A"	DIM "B"	DIM "C"
3615	8-3/4" [222.3mm]	12-1/2" [317.5mm]	5-1/2" [139.7mm]
3616	8-3/4" [222.3mm]	12-1/2" [317.5mm]	5-1/2" [139.7mm]
1996	5" [127.0mm]	8-3/4" [222.3mm]	3-1/2" [88.9mm]
2003	5" [127.0mm]	8-3/4" [222.3mm]	3-1/2" [88.9mm]

OPTIONS OR MODIFICATIONS:

SUPPLY LINES (24" OR 36") CIRCLE LENGTH

IN-LINE DUAL CHECK VALVE

ELBOWS

VANDAL RESISTANT KIT

HANDLES (CROSS OR WRIST) CIRCLE STYLE

OTHER _____

FEATURES:

CONTROL VALVE

- * 4" C/C BACKSPLASH
- * SWIVELLING SEAT DISKS
- * HOT SIDE STEM - LEFT HAND
- * COLD SIDE STEM - RIGHT HAND
- * STAINLESS STEEL SEATS
- * STAINLESS STEEL SEAT SCREWS
- * STAINLESS STEEL HANDLE SCREWS

SYSTEM LIMITS

- * TEMP: 40°F MIN. TO 140°F MAX.
- * PRESSURE 200 PSI MAX. STATIC
- * 2.2 GPM AT 80 PSI

SHIPPING WEIGHT

* 6.0 LBS

ROUGH-IN:

