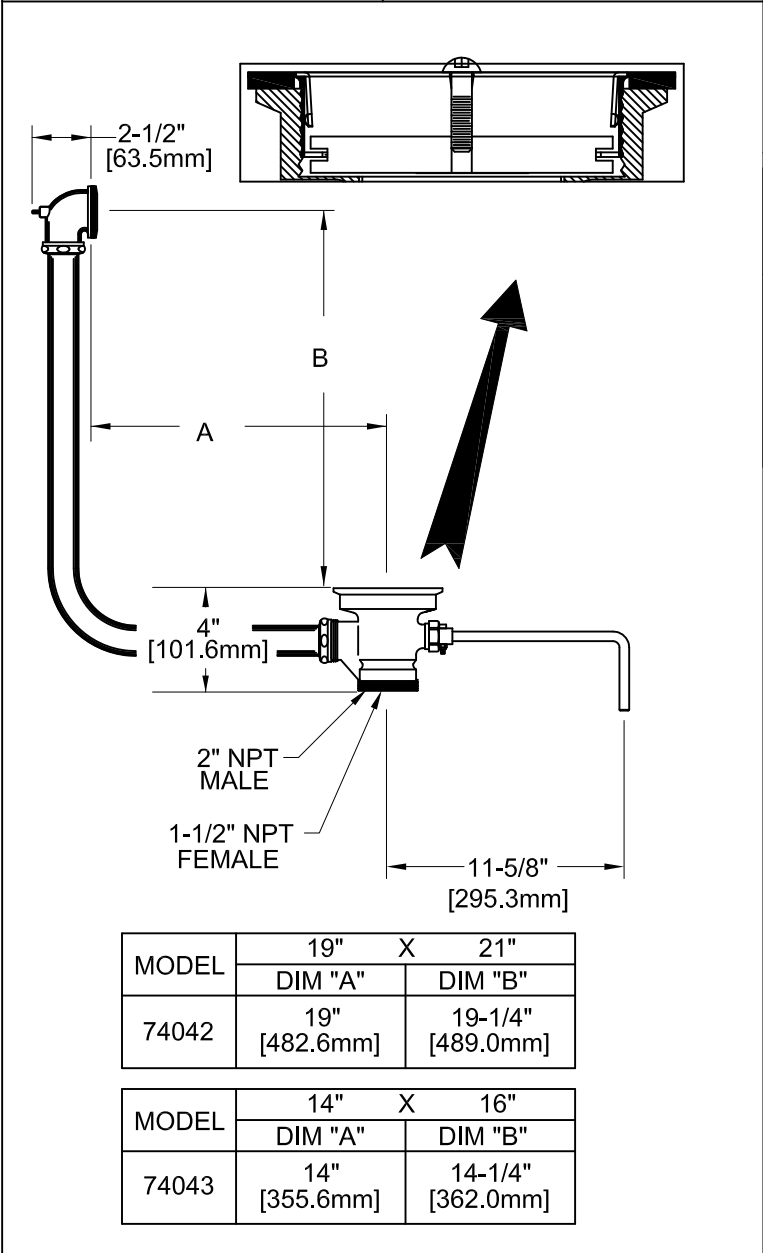


APPLICATION:
 JOB NAME:
 QUANTITY: ITEM NO.

PRODUCT NAME:
 DrainKing WASTE VALVE

SPECIAL CONFIGURATION
 CHECK BASE MODEL AND OPTIONS

MODEL:
 74042 w/ VR FLAT STRAINER & 19" X 21" OVERFLOW
 74043 w/ VR FLAT STRAINER & 14" X 16" OVERFLOW

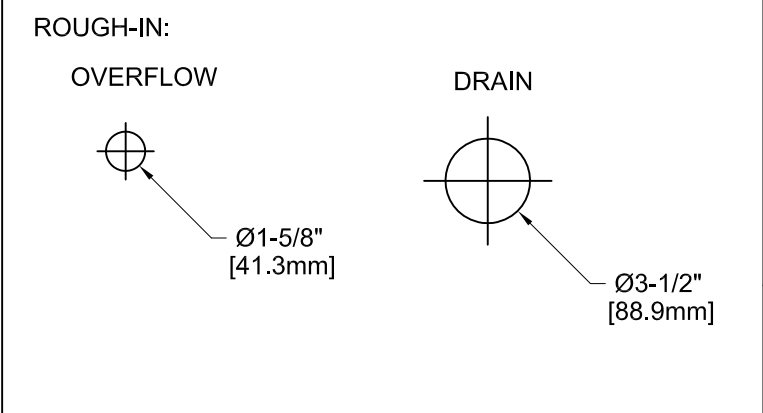


OPTIONS OR MODIFICATIONS:
 OTHER _____

- FEATURES:
- * DUAL TEFLON SEALS
 - * STAINLESS STEEL BALL
 - * CAST RED BRASS BODY
 - * EXTRA SURDY STAINLESS STEEL CLAMPING RING
 - * "CLEAR THROUGH" OPENING, NO NEED TO DISASSEMBLE IF SNAKING IS REQUIRED
 - * INDUSTRY STANDARD "SEALING" ANGLE - FITS FLUSH TO STANDARD STAINLESS STEEL SINKS
 - * VANDAL RESISTANT STAINLESS STEEL FLAT STRAINER
 - * 1/4 TURN FULLY OPENS AND CLOSES VALVE

DRAIN RATE:
 * 12 GPM

SHIPPING WEIGHT
 * 10.0 LBS



ANSI/A112.18.1M

FISHER
 FISHER MANUFACTURING COMPANY
 TOLL FREE: 800-421-6162 - FAX: 800-832-8238
 information@fisher-mfg.com - www.fisher-mfg.com