

APPLICATION:

JOB NAME:

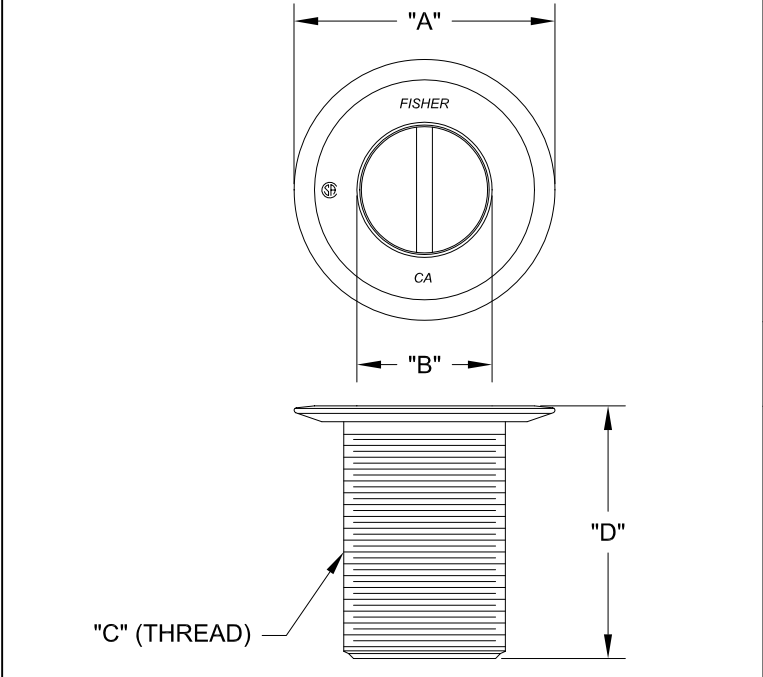
PRODUCT NAME:

WASTE SOCKET

SPECIAL CONFIGURATION
CHECK BASE MODEL AND OPTIONS

QUANTITY: ITEM NO.

- MODEL:
- 6642-2100 3/4" X 1-3/4" BRASS
 - 10448 3/4" X 1-3/4" ROUGH CHROME
 - 6240-2100 1" X 2" BRASS
 - 6241-2400 1" X 2" ROUGH CHROME
 - 6440-2100 1" X 4" BRASS
 - 6441-2400 1" X 4" ROUGH CHROME
 - 6540-2100 1-1/2" X 1-1/2" BRASS
 - 6541-2400 1-1/2" X 1-1/2" ROUGH CHROME
 - 6740-2100 2" X 2" BRASS



OPTIONS OR MODIFICATIONS:

OTHER _____

FEATURES

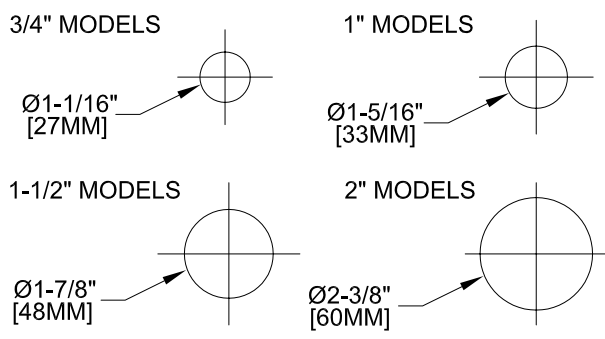
* BRASS WASTE SOCKET

DRAIN RATES
FOR MODELS 6642-2100, 10448:
* 3.0 GPM
FOR MODELS 6240-2100, 6241-2400, 6440-2100, 6441-2400:
* 5.3 GPM
FOR MODELS 6540-2100, 6541-2400:
* 12 GPM
FOR MODEL 6740-2100:
* 21.3 GPM

SHIPPING WEIGHT
FOR MODELS 6642-2100, 10448:
* 0.5 LBS
FOR MODELS 6240-2100, 6241-2400:
* 0.5 LBS
FOR MODELS 6440-2100, 6441-2400:
* 1.0 LBS
FOR MODELS 6540-2100, 6541-2400:
* 1.0 LBS
FOR MODELS 6740-2100:
* 1.0 LBS

| MODEL | DIM "A" | DIM "B" | DIM "C" | DIM "D" |
|-----------|-------------------|-------------------|------------|------------------|
| 6642-2100 | Ø1-1/2" [38MM] | Ø3/4" [20MM] | 3/4" NPS | 1-3/4" [45MM] |
| 10448 | Ø1-1/2" [38MM] | Ø3/4" [20MM] | 3/4" NPS | 1-3/4" [45MM] |
| 6240-2100 | Ø2" [50MM] | Ø1" [25MM] | 1" NPS | 2" [50MM] |
| 6241-2400 | Ø2" [50MM] | Ø1" [25MM] | 1" NPS | 2" [50MM] |
| 6440-2100 | Ø2" [50MM] | Ø1" [25MM] | 1" NPS | 4" [100MM] |
| 6441-2400 | Ø2" [50MM] | Ø1" [25MM] | 1" NPS | 4" [100MM] |
| 6540-2100 | Ø2-7/8" [73MM] | Ø1-1/2" [38MM] | 1-1/2" NPS | 1-1/2" [38MM] |
| 6541-2400 | Ø2-7/8" [73MM] | Ø1-1/2" [38MM] | 1-1/2" NPS | 1-1/2" [38MM] |
| 6740-2100 | Ø3-7/8" [98MM] | Ø2" [50MM] | 2" NPS | 2" [50MM] |

ROUGH-IN:



ANSI/A112.18.1M

FISHER
FISHER MANUFACTURING COMPANY
TOLL FREE: 800-421-6162 - FAX: 800-832-8238
information@fisher-mfg.com - www.fisher-mfg.com