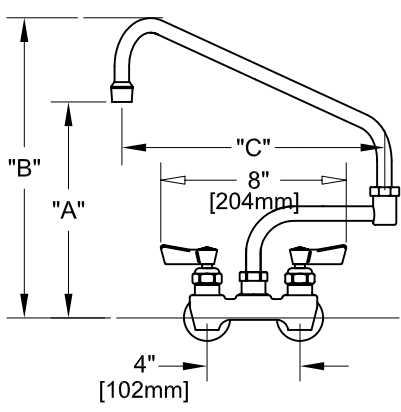
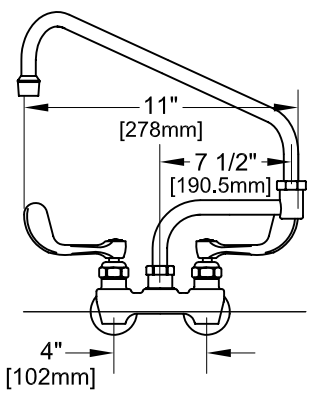


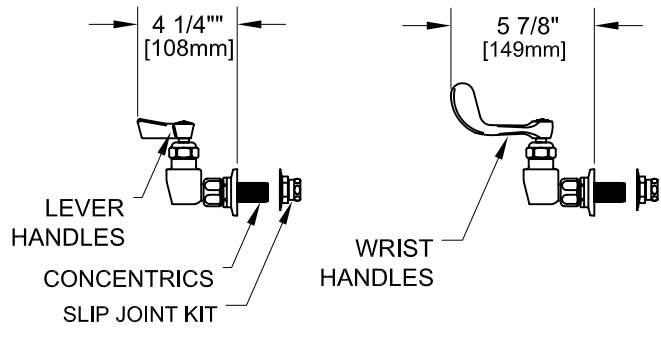
4" C/C BACKSPLASH FAUCET W/ LEVER HANDLES



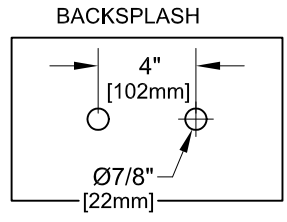
4" C/C BACKSPLASH FAUCET W/ WRIST HANDLES



4" C/C BACKSPLASH FAUCET



ROUGH-IN:



PRODUCT NAME: STAINLESS STEEL  
4" C/C BACKSPLASH FAUCET

MODEL:

- 62375 W/ 6" SWING SPOUT W/ 7" DJ & LEVER HANDLES
- 62243 W/ 8" SWING SPOUT W/ 7" DJ & LEVER HANDLES
- 62111 W/ 10" SWING SPOUT W/ 7" DJ & LEVER HANDLES
- 61980 W/ 12" SWING SPOUT W/ 7" DJ & LEVER HANDLES
- 61859 W/ 14" SWING SPOUT W/ 7" DJ & LEVER HANDLES
- 61727 W/ 16" SWING SPOUT W/ 7" DJ & LEVER HANDLES
- 62383 W/ 6" SWING SPOUT W/ 7" DJ & WRIST HANDLES
- 62251 W/ 8" SWING SPOUT W/ 7" DJ & WRIST HANDLES
- 62138 W/ 10" SWING SPOUT W/ 7" DJ & WRIST HANDLES
- 61999 W/ 12" SWING SPOUT W/ 7" DJ & WRIST HANDLES
- 61867 W/ 14" SWING SPOUT W/ 7" DJ & WRIST HANDLES
- 61735 W/ 16" SWING SPOUT W/ 7" DJ & WRIST HANDLES

FEATURES

- CONTROL VALVE
- \* 4" C/C BACKSPLASH
  - \* CONCENTRICS OR ECCENTRICS
  - \* STAINLESS STEEL CONSTRUCTION
  - \* SWIVELLING SEAT DISKS
  - \* HOT SIDE STEM - RIGHT HAND
  - \* COLD SIDE STEM - LEFT HAND
  - \* LEVER HANDLES OR WRIST HANDLES
  - \* SWING SPOUT

SYSTEM LIMITS

- \* TEMP: 40°F MIN. TO 140°F MAX.

SHIPPING WEIGHT

- \* 6.0 LBS

\* NSF 61-9 APPROVED & LISTED  
[www.truesdail.com](http://www.truesdail.com)

| MODELS | DIM "A"    | DIM "B"    | DIM "C" |
|--------|------------|------------|---------|
| 62375  | 5-3/4"     | 9-3/8"     | 6"      |
| 62383  | [146.05mm] | [244.48mm] | [152mm] |
| 62243  | 6-7/16"    | 10-1/16"   | 8"      |
| 62251  | [163.51mm] | [255.58mm] | [204mm] |
| 62111  | 7-1/16"    | 10-11/16"  | 10"     |
| 62138  | [179.38mm] | [271.46mm] | [254mm] |
| 61980  | 7-3/4"     | 11-3/8"    | 12"     |
| 61999  | [196.85mm] | [295.27mm] | [305mm] |
| 61859  | 8-5/16"    | 11-15/16"  | 14"     |
| 61867  | [211mm]    | [303.21mm] | [356mm] |
| 61727  | 9"         | 12-9/16"   | 16"     |
| 61735  | [228.6mm]  | [319.08mm] | [406mm] |

**FISHER**  
FISHER MANUFACTURING COMPANY  
TOLL FREE: 800-421-6162 - FAX: 800-832-8238  
[information@fisher-mfg.com](mailto:information@fisher-mfg.com) - [www.fisher-mfg.com](http://www.fisher-mfg.com)