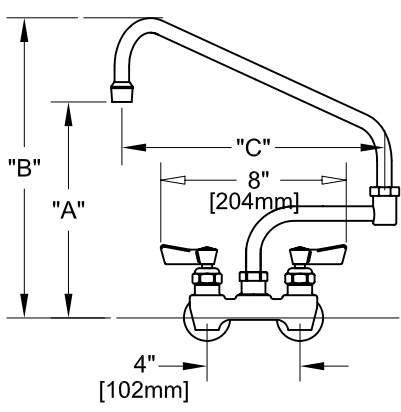
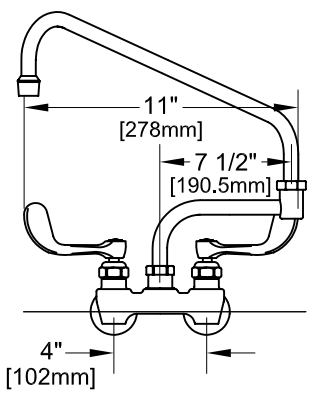


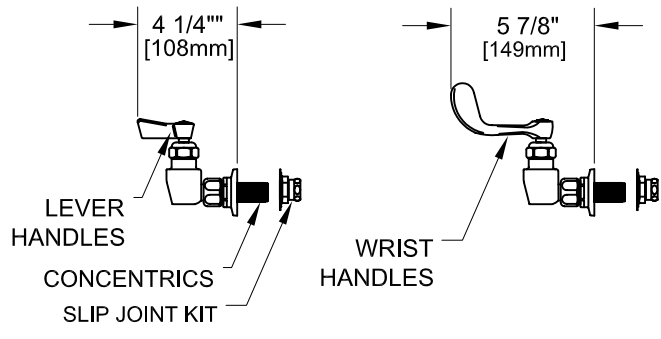
4" C/C BACKSPLASH FAUCET W/ LEVER HANDLES



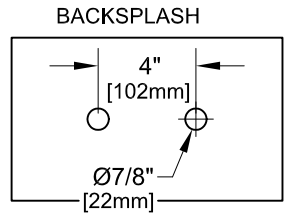
4" C/C BACKSPLASH FAUCET W/ WRIST HANDLES



4" C/C BACKSPLASH FAUCET



ROUGH-IN:



PRODUCT NAME: STAINLESS STEEL
4" C/C BACKSPLASH FAUCET

MODEL:

- 62375 W/ 6" SWING SPOUT W/ 7" DJ & LEVER HANDLES
- 62243 W/ 8" SWING SPOUT W/ 7" DJ & LEVER HANDLES
- 62111 W/ 10" SWING SPOUT W/ 7" DJ & LEVER HANDLES
- 61980 W/ 12" SWING SPOUT W/ 7" DJ & LEVER HANDLES
- 61859 W/ 14" SWING SPOUT W/ 7" DJ & LEVER HANDLES
- 61727 W/ 16" SWING SPOUT W/ 7" DJ & LEVER HANDLES
- 62383 W/ 6" SWING SPOUT W/ 7" DJ & WRIST HANDLES
- 62251 W/ 8" SWING SPOUT W/ 7" DJ & WRIST HANDLES
- 62138 W/ 10" SWING SPOUT W/ 7" DJ & WRIST HANDLES
- 61999 W/ 12" SWING SPOUT W/ 7" DJ & WRIST HANDLES
- 61867 W/ 14" SWING SPOUT W/ 7" DJ & WRIST HANDLES
- 61735 W/ 16" SWING SPOUT W/ 7" DJ & WRIST HANDLES

FEATURES

- CONTROL VALVE
- * 4" C/C BACKSPLASH
 - * CONCENTRICS OR ECCENTRICS
 - * STAINLESS STEEL CONSTRUCTION
 - * SWIVELLING SEAT DISKS
 - * HOT SIDE STEM - RIGHT HAND
 - * COLD SIDE STEM - LEFT HAND
 - * LEVER HANDLES OR WRIST HANDLES
 - * SWING SPOUT

SYSTEM LIMITS

- * TEMP: 40°F MIN. TO 140°F MAX.

SHIPPING WEIGHT

- * 6.0 LBS

* NSF 61-9 APPROVED & LISTED
www.truesdail.com

MODELS	DIM "A"	DIM "B"	DIM "C"
62375	5-3/4"	9-3/8"	6"
62383	[146.05mm]	[244.48mm]	[152mm]
62243	6-7/16"	10-1/16"	8"
62251	[163.51mm]	[255.58mm]	[204mm]
62111	7-1/16"	10-11/16"	10"
62138	[179.38mm]	[271.46mm]	[254mm]
61980	7-3/4"	11-3/8"	12"
61999	[196.85mm]	[295.27mm]	[305mm]
61859	8-5/16"	11-15/16"	14"
61867	[211mm]	[303.21mm]	[356mm]
61727	9"	12-9/16"	16"
61735	[228.6mm]	[319.08mm]	[406mm]

FISHER
FISHER MANUFACTURING COMPANY
TOLL FREE: 800-421-6162 - FAX: 800-832-8238
information@fisher-mfg.com - www.fisher-mfg.com