

APPLICATION:

PRODUCT NAME:
TAILPIECE 2" X 6" CHROME PLATE

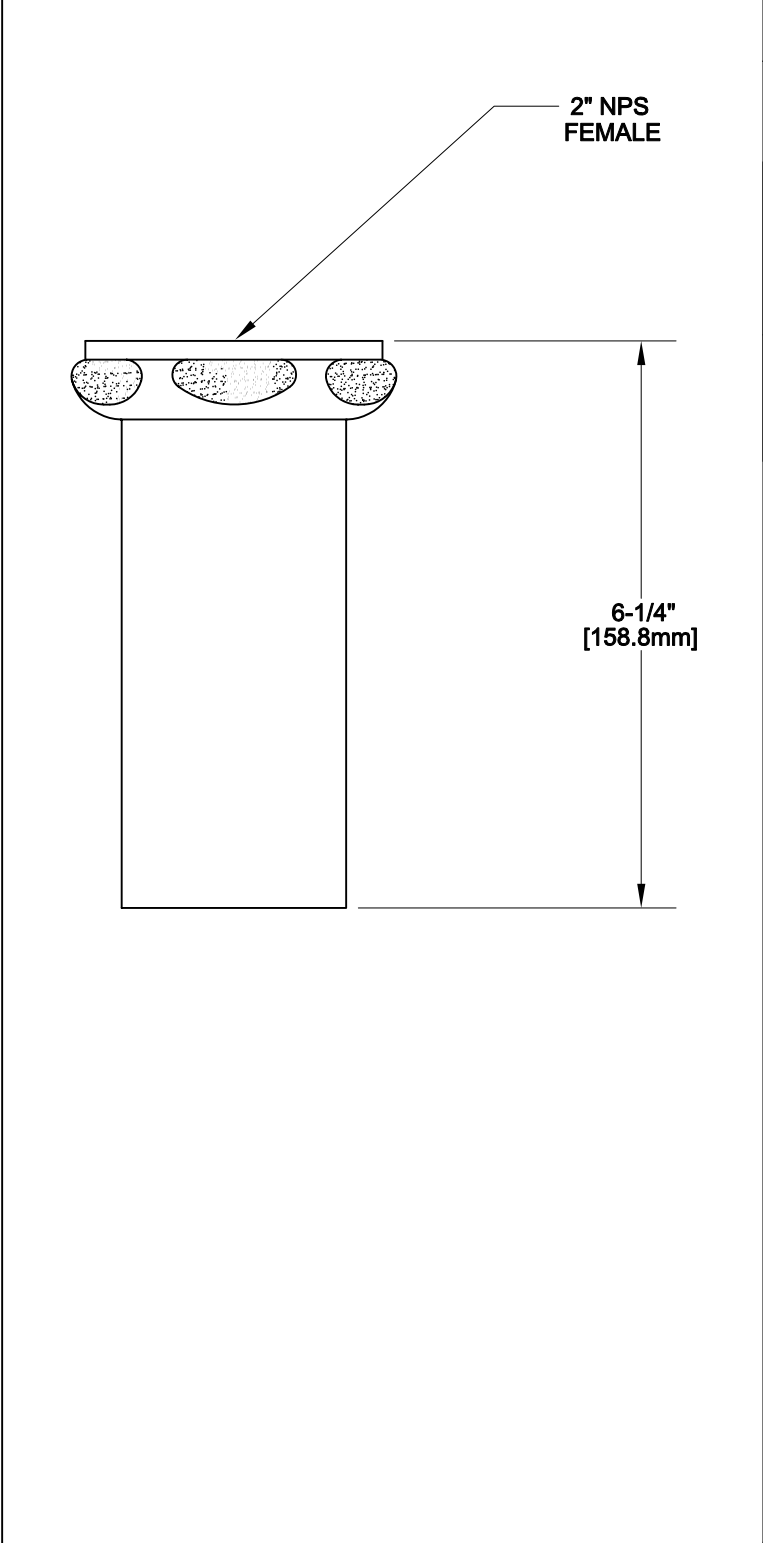
JOB NAME:

SPECIAL CONFIGURATION
CHECK BASE MODEL AND OPTIONS

QUANTITY:

ITEM NO.

MODEL:
 6129



OPTIONS OR MODIFICATIONS:
 SUPPLY LINES (24" OR 36") CIRCLE LENGTH
 NIPPLES
 ELBOWS
 HANDLES (CROSS OR WRIST) CIRCLE STYLE
 VANDAL RESISTANT KIT
 OTHER _____

FEATURES:
* 2" NPS FEMALE INLET
* 6" LENGTH
* CHROME PLATED

SHIPPING WEIGHT
* 1.0 LBS