

APPLICATION:

JOB NAME:

PRODUCT NAME:

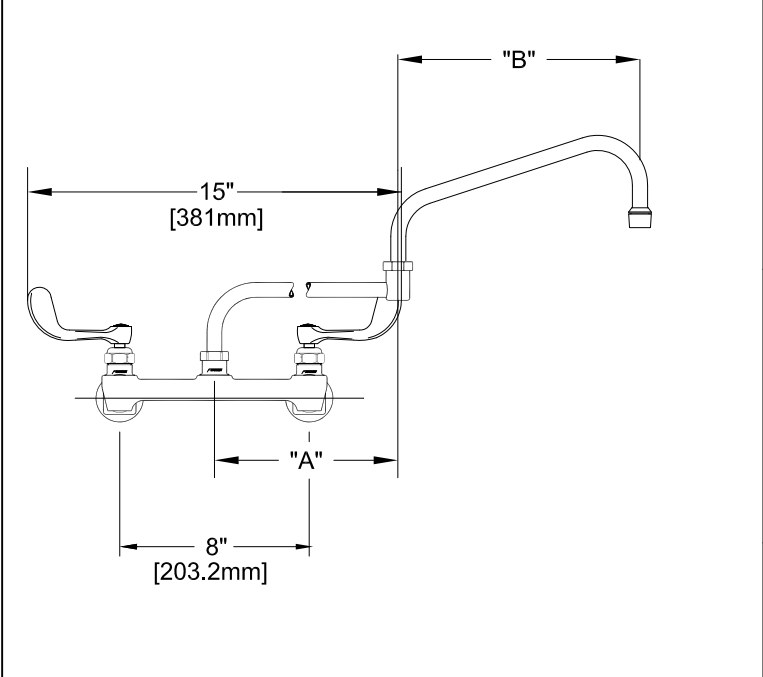
FAUCET 8BSEWH SWING SPOUT WITH DJ

\_\_\_\_\_ SPECIAL CONFIGURATION  
CHECK BASE MODEL AND OPTIONS

QUANTITY:

ITEM NO.

- MODEL:
- 55654 6" SWING SPOUT WITH 7" DJ
  - 55689 8" SWING SPOUT WITH 7" DJ
  - 55697 10" SWING SPOUT WITH 7" DJ
  - 55700 12" SWING SPOUT WITH 7" DJ
  - 55719 14" SWING SPOUT WITH 7" DJ
  - 55727 16" SWING SPOUT WITH 7" DJ

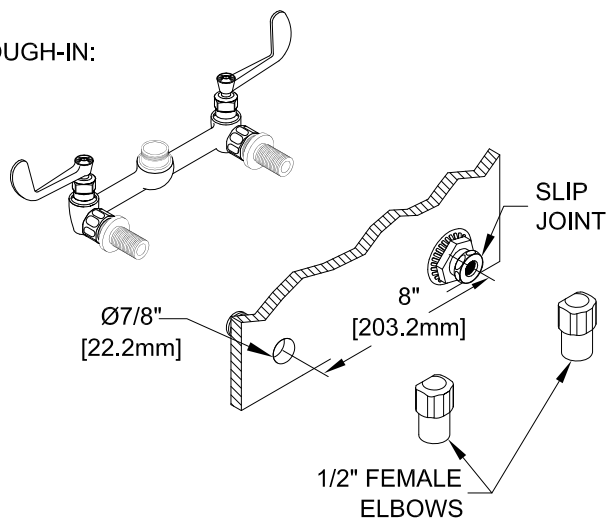


- OPTIONS OR MODIFICATIONS:
- SUPPLY LINES (24" OR 36") CIRCLE LENGTH
  - NIPPLES
  - ELBOWS
  - HANDLES (CROSS OR WRIST) CIRCLE STYLE
  - VANDAL RESISTANT KIT
  - OTHER \_\_\_\_\_

- FEATURES:
- \* 8" C/C BACKSPLASH MOUNT
  - \* SWIVELING SEAT DISKS
  - \* HOT SIDE STEM - RIGHT HAND
  - \* COLD SIDE STEM - LEFT HAND
  - \* STAINLESS STEEL SEATS
  - \* STAINLESS STEEL SEAT SCREWS
  - \* STAINLESS STEEL HANDLE SCREWS
  - \* 1/2" SLIP JOINT
- SYSTEM LIMITS
- \* TEMP: 40°F MIN. TO 140°F MAX.
  - \* PRESSURE 200 PSI MAX. STATIC
  - \* 2.20 GPM AT 60 PSI
- SHIPPING WEIGHT
- \* 5.0 LBS

MODEL	DIM "A"	DIM "B"
55654	7" [177.8mm]	6" [152.4mm]
55689	7" [177.8mm]	8" [203.2mm]
55697	7" [177.8mm]	10" [254mm]
55700	7" [177.8mm]	12" [304.8mm]
55719	7" [177.8mm]	14" [355.6mm]
55727	7" [177.8mm]	16" [406.4mm]

ROUGH-IN:



ANSI/A112.18.1M

FISHER MANUFACTURING COMPANY  
 TOLL FREE: 800-421-6162 - FAX: 800-832-8238  
 information@fisher-mfg.com - www.fisher-mfg.com