

APPLICATION:

JOB NAME:

PRODUCT NAME:

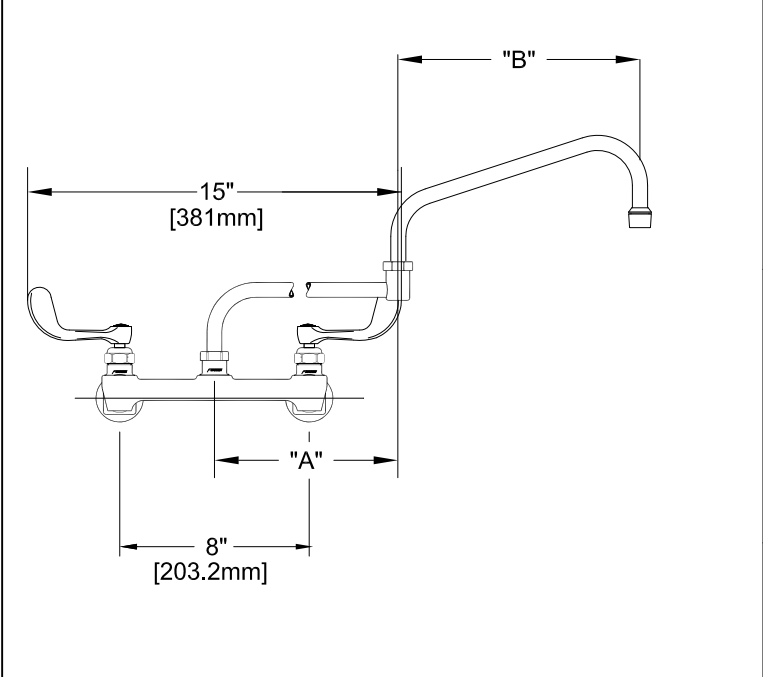
FAUCET 8BSEWH SWING SPOUT WITH DJ

_____ SPECIAL CONFIGURATION
CHECK BASE MODEL AND OPTIONS

QUANTITY:

ITEM NO.

- MODEL:
- 55654 6" SWING SPOUT WITH 7" DJ
 - 55689 8" SWING SPOUT WITH 7" DJ
 - 55697 10" SWING SPOUT WITH 7" DJ
 - 55700 12" SWING SPOUT WITH 7" DJ
 - 55719 14" SWING SPOUT WITH 7" DJ
 - 55727 16" SWING SPOUT WITH 7" DJ

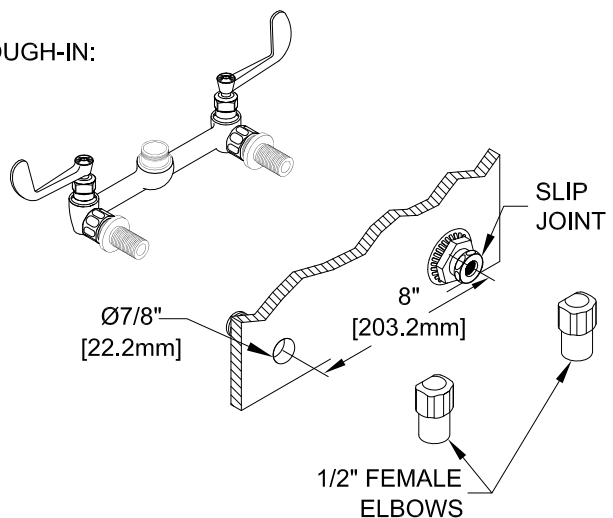


- OPTIONS OR MODIFICATIONS:
- SUPPLY LINES (24" OR 36") CIRCLE LENGTH
 - NIPPLES
 - ELBOWS
 - HANDLES (CROSS OR WRIST) CIRCLE STYLE
 - VANDAL RESISTANT KIT
 - OTHER _____

- FEATURES:
- * 8" C/C BACKSPLASH MOUNT
 - * SWIVELING SEAT DISKS
 - * HOT SIDE STEM - RIGHT HAND
 - * COLD SIDE STEM - LEFT HAND
 - * STAINLESS STEEL SEATS
 - * STAINLESS STEEL SEAT SCREWS
 - * STAINLESS STEEL HANDLE SCREWS
 - * 1/2" SLIP JOINT
- SYSTEM LIMITS
- * TEMP: 40°F MIN. TO 140°F MAX.
 - * PRESSURE 200 PSI MAX. STATIC
 - * 2.20 GPM AT 60 PSI
- SHIPPING WEIGHT
- * 5.0 LBS

MODEL	DIM "A"	DIM "B"
55654	7" [177.8mm]	6" [152.4mm]
55689	7" [177.8mm]	8" [203.2mm]
55697	7" [177.8mm]	10" [254mm]
55700	7" [177.8mm]	12" [304.8mm]
55719	7" [177.8mm]	14" [355.6mm]
55727	7" [177.8mm]	16" [406.4mm]

ROUGH-IN:



ANSI/A112.18.1M

FISHER MANUFACTURING COMPANY
 TOLL FREE: 800-421-6162 - FAX: 800-832-8238
 information@fisher-mfg.com - www.fisher-mfg.com