

APPLICATION:

PRODUCT NAME:
**STAINLESS STEEL
 SWIVEL GOOSENECK SPOUT ASSEMBLY**

JOB NAME:

SPECIAL CONFIGURATION
 CHECK BASE MODEL AND OPTIONS

QUANTITY:

ITEM NO.

MODEL:
 54437 12" SWIVEL GOOSENECK SPOUT
 71862 10" SWIVEL GOOSENECK SPOUT
 54453 6" SWIVEL GOOSENECK SPOUT

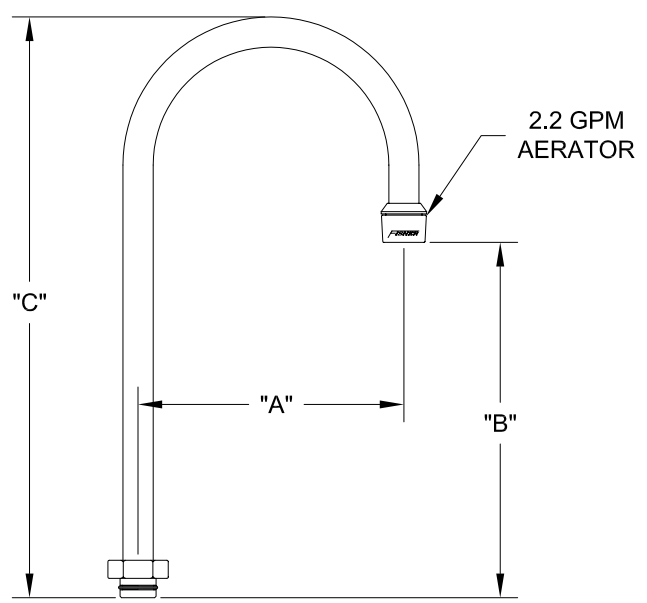
OPTIONS OR MODIFICATIONS:
 OTHER _____

FEATURES
 * 2.2 GPM AERATOR

SYSTEM LIMITS
 * TEMP: 40°F MIN. TO 140°F MAX.
 * PRESSURE: 200 PSI MAX. STATIC

SHIPPING WEIGHT
 * 0.75 LBS

* NSF 61-9 APPROVED & LISTED
www.truesdail.com



MODEL	DIM "A"	DIM "B"	DIM "C"
54437	5-1/2" [140mm]	7-3/8" [187mm]	12" [304mm]
71862	5" [127mm]	5-3/8" [136.5mm]	10" [254mm]
54453	3-1/2" [89mm]	3-3/8" [86mm]	7" [180mm]

ANSI/A112.18.1M

FISHER
 FISHER MANUFACTURING COMPANY
 TOLL FREE: 800-421-6162 - FAX: 800-832-8238
information@fisher-mfg.com - www.fisher-mfg.com