

APPLICATION:

PRODUCT NAME:  
**STAINLESS STEEL SWIVEL SPOUT ASSEMBLY**

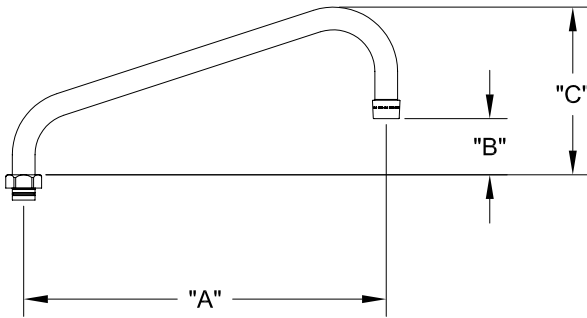
JOB NAME:

SPECIAL CONFIGURATION  
 CHECK BASE MODEL AND OPTIONS

QUANTITY:

ITEM NO.

MODEL:  
 54380 6" SWIVEL SPOUT  
 54399 8" SWIVEL SPOUT  
 54402 10" SWIVEL SPOUT  
 54410 12" SWIVEL SPOUT  
 54429 14" SWIVEL SPOUT  
 54445 16" SWIVEL SPOUT



OPTIONS OR MODIFICATIONS:  
 OTHER \_\_\_\_\_

**FEATURES**

\* 2.2 GPM AERATOR

**RECOMMENDED SETTINGS**

\* 110°F AT 80 PSI

**SYSTEM LIMITS**

\* TEMP: 40°F MIN. TO 140°F MAX.  
 \* PRESSURE: 200 PSI MAX. STATIC

**SHIPPING WEIGHT**

\* 0.75 LBS

\* NSF 61-9 APPROVED & LISTED  
[www.truesdail.com](http://www.truesdail.com)

MODEL	DIM "A"	DIM "B"	DIM "C"
54380	6" [152mm]	3/8" [10mm]	4" [102mm]
54399	8" [204mm]	1-1/4" [33mm]	5" [127mm]
54402	10" [254mm]	1-1/4" [33mm]	5" [127mm]
54410	12" [305mm]	2" [51mm]	5-3/4" [145mm]
54429	14" [356mm]	2-5/8" [67mm]	6-1/4" [160mm]
54445	16" [406mm]	3-1/4" [83mm]	7" [178mm]

ANSI/A112.18.1M

**FISHER**  
 FISHER MANUFACTURING COMPANY  
 TOLL FREE: 800-421-6162 - FAX: 800-832-8238  
[information@fisher-mfg.com](mailto:information@fisher-mfg.com) - [www.fisher-mfg.com](http://www.fisher-mfg.com)