

APPLICATION:

PRODUCT NAME:
STAINLESS STEEL 4" C/C DECK FAUCET

JOB NAME:

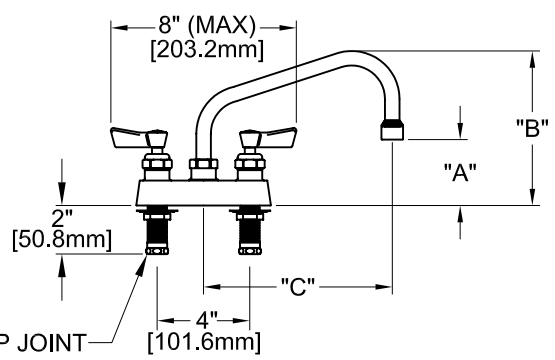
SPECIAL CONFIGURATION
 CHECK BASE MODEL AND OPTIONS

QUANTITY:

ITEM NO.

MODEL:

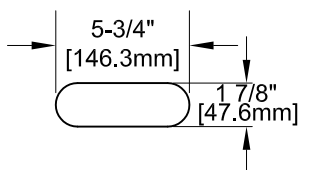
- 53740 W/ 6" SWING SPOUT
- 53759 W/ 8" SWING SPOUT
- 53767 W/ 10" SWING SPOUT
- 53775 W/ 12" SWING SPOUT
- 53783 W/ 14" SWING SPOUT
- 53791 W/ 16" SWING SPOUT



OPTIONS OR MODIFICATIONS:

- SUPPLY LINES (24" OR 36") CIRCLE LENGTH
- DJ SUB-ASSY (7-1/4" OR 13") CIRCLE LENGTH
- VANDAL RESISTANT KIT
- HANDLES (CROSS OR WRIST) CIRCLE STYLE
- OTHER _____

FOOTPRINT:



FEATURES:

- * 4" C/C DECK MOUNT
- * STAINLESS STEEL CONSTRUCTION
- * SWIVELING SEAT DISKS
- * HOT SIDE STEM - RIGHT HAND
- * COLD SIDE STEM - LEFT HAND
- * STAINLESS STEEL SEATS
- * STAINLESS STEEL SEAT SCREWS
- * STAINLESS STEEL HANDLE SCREWS
- * 1/2" SLIP JOINT KIT

MODEL	DIM "A"	DIM "B"	DIM "C"
53740	2-3/8" [60.3mm]	6" [152.4mm]	6" [152.4mm]
53759	2-5/8" [66.7mm]	6-1/2" [165.1mm]	8" [203.2mm]
53767	3-1/4" [82.6mm]	7" [177.8mm]	10" [254.0mm]
53775	3-7/8" [98.4mm]	7-1/2" [190.5mm]	12" [304.8mm]
53783	4-1/2" [114.3mm]	8-3/8" [212.7mm]	14" [355.6mm]
53791	5-1/8" [130.2mm]	9" [228.6mm]	16" [406.4mm]

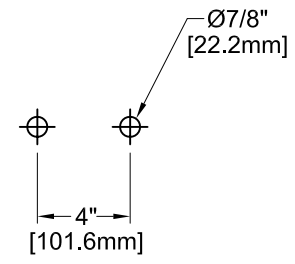
SYSTEM LIMITS

- * TEMP: 40°F MIN. TO 140°F MAX.
- * PRESSURE 200 PSI MAX. STATIC
- * 2.20 GPM AT 80 PSI

SHIPPING WEIGHT
 *4.75 LBS

* NSF 61-9 APPROVED & LISTED
www.truesdail.com

ROUGH-IN:



ANSI/A112.18.1M



FISHER
 FISHER MANUFACTURING COMPANY
 TOLL FREE: 800-421-6162 - FAX: 800-832-8238
information@fisher-mfg.com - www.fisher-mfg.com