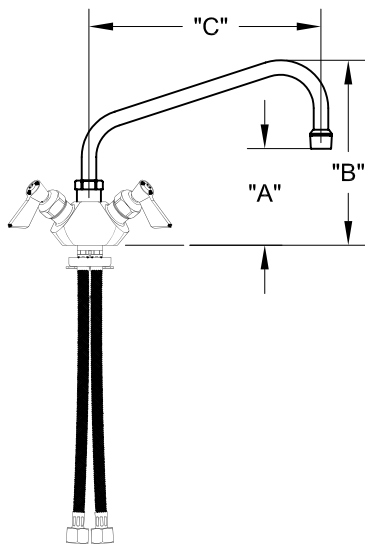
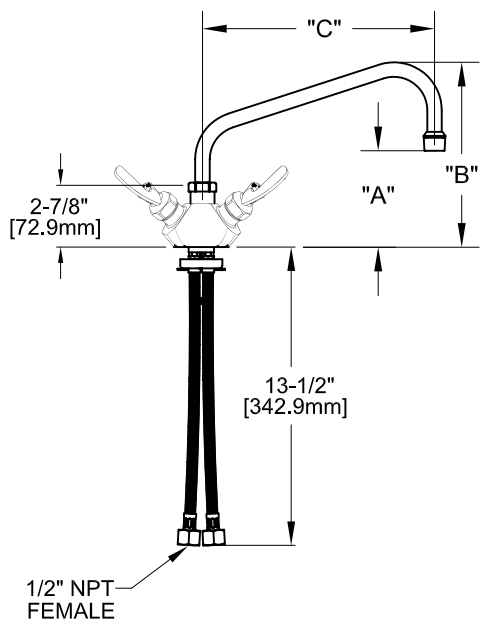


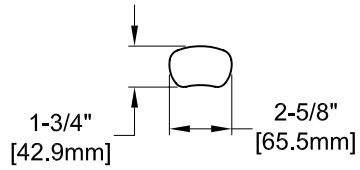
**SINGLE DECK DUAL CONTROL FAUCET W/ LEVER HANDLES**



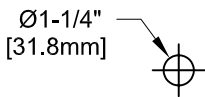
**SINGLE DECK DUAL CONTROL FAUCET W/ WRIST HANDLES**



**FOOTPRINT:**



**ROUGH-IN:**



**PRODUCT NAME:** STAINLESS STEEL  
SINGLE DECK DUAL CONTROL FAUCET

**MODEL:**

- 52760 W/ 6" SWING SPOUT W/ LEVER HANDLES
- 52779 W/ 8" SWING SPOUT W/ LEVER HANDLES
- 52787 W/ 10" SWING SPOUT W/ LEVER HANDLES
- 52795 W/ 12" SWING SPOUT W/ LEVER HANDLES
- 52809 W/ 14" SWING SPOUT W/ LEVER HANDLES
- 52817 W/ 16" SWING SPOUT W/ LEVER HANDLES
- 57266 W/ 6" SWING SPOUT W/ WRIST HANDLES
- 57274 W/ 8" SWING SPOUT W/ WRIST HANDLES
- 57282 W/ 10" SWING SPOUT W/ WRIST HANDLES
- 57290 W/ 12" SWING SPOUT W/ WRIST HANDLES
- 57304 W/ 14" SWING SPOUT W/ WRIST HANDLES
- 57312 W/ 16" SWING SPOUT W/ WRIST HANDLES

**FEATURES**

**CONTROL VALVE**

- \* SINGLE DECK DUAL CONTROL
- \* STAINLESS STEEL CONSTRUCTION
- \* SWIVELLING SEAT DISKS
- \* HOT SIDE STEM - RIGHT HAND
- \* COLD SIDE STEM - LEFT HAND
- \* LEVER HANDLES OR WRIST HANDLES
- \* STAINLESS STEEL BRAIDED HOSE

**SYSTEM LIMITS**

- \* TEMP: 40°F MIN. TO 140°F MAX. STATIC
- \* PRESSURE 200 PSI MAX.
- \* 2.20 GPM AT 80 PSI

**SHIPPING WEIGHT**

- \* 4.75 LBS

\* NSF 61-9 APPROVED & LISTED

[www.truesdail.com](http://www.truesdail.com)

MODELS	DIM "A"	DIM "B"	DIM "C"
52760 57266	3" [76.2mm]	6-5/8" [168.3mm]	6" [152mm]
52779 57274	3-1/4" [82.6mm]	7-1/8" [181.0mm]	8" [204mm]
52787 57282	3-7/8" [98.4mm]	7-5/8" [193.7mm]	10" [254mm]
52795 57290	4-1/2" [114.3mm]	8-1/8" [206.4mm]	12" [305mm]
52809 57304	5-1/8" [130.2mm]	9" [228.6mm]	14" [356mm]
52817 57312	5" [149.2mm]	9-5/8" [244.5mm]	16" [406mm]



FISHER MANUFACTURING COMPANY

TOLL FREE: 800-421-6162 - FAX: 800-832-8238

[information@fisher-mfg.com](mailto:information@fisher-mfg.com) - [www.fisher-mfg.com](http://www.fisher-mfg.com)