

APPLICATION:

PRODUCT NAME:
SWIVEL SPOUT ASSEMBLY

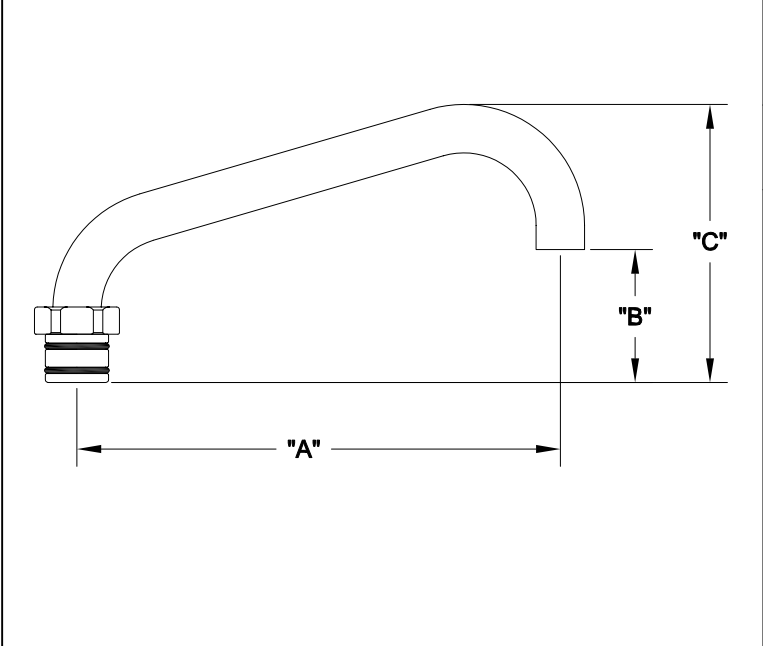
JOB NAME:

SPECIAL CONFIGURATION
 CHECK BASE MODEL AND OPTIONS

QUANTITY:

ITEM NO.

MODEL:
 5000-0020 7" SWIVEL SPOUT
 5000-0001 10" SWIVEL SPOUT
 5000-0002 14" SWIVEL SPOUT



OPTIONS OR MODIFICATIONS:
 OTHER _____

FEATURES

RECOMMENDED SETTINGS
 * 110°F AT 80 PSI

SYSTEM LIMITS
 * TEMP: 40°F MIN. TO 140°F MAX.
 * PRESSURE: 200 PSI MAX. STATIC

SHIPPING WEIGHT
 * 1.0 LBS

MODEL	DIM "A"	DIM "B"	DIM "B"
5000-0020	7-3/8" [187mm]	1-1/2" [38mm]	4-1/2" [114mm]
5000-0001	10" [254mm]	2-1/8" [54mm]	5-1/4" [133mm]
5000-0002	14" [356mm]	3-1/2" [89mm]	6-3/4" [171mm]