

PRODUCT NAME: **STAINLESS STEEL SINGLE WALL FAUCET**

- MODEL:
- 49417 10" SWING SPOUT W/ CROSS HANDLE
 - 49484 10" SWING SPOUT W/ WRIST HANDLE

- FEATURES:
- * SINGLE WALL
 - * SWIVELLING SEAT DISKS
 - * STEM - RIGHT HAND
 - * STAINLESS STEEL SEATS
 - * STAINLESS STEEL SEAT SCREWS
 - * STAINLESS STEEL HANDLE SCREWS
 - * HOT & COLD INDEX BUTTONS

RECOMMENDED SETTINGS

- * 110°F AT 80 PSI

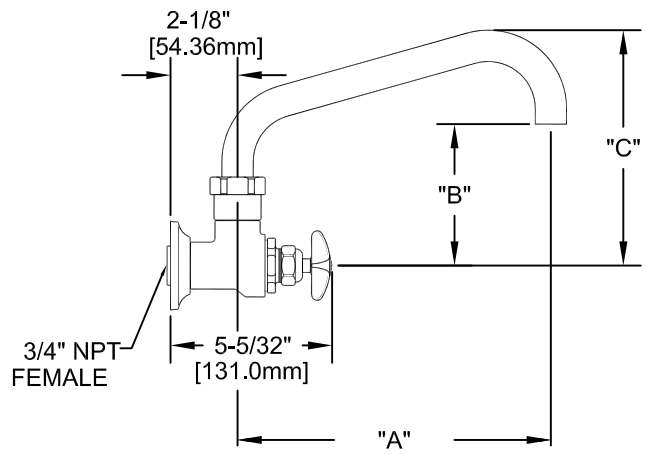
SYSTEM LIMITS

- * TEMP: 40°F MIN. TO 140°F MAX.
- * PRESSURE 200 PSI MAX. STATIC
- * 29 GPM @ 80 PSI

SHIPPING WEIGHT

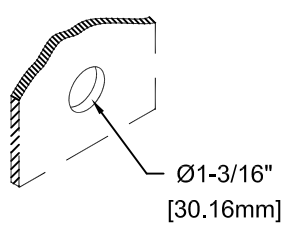
- * 8.5 LBS

* NSF 61-9 APPROVED & LISTED
www.truesdail.com



MODEL	DIM "A"	DIM "B"	DIM "C"
49417	10" [254.0mm]	4-1/2" [114.6mm]	7-1/2" [190.8mm]
49484	10" [254.0mm]	4-1/2" [114.6mm]	7-1/2" [190.8mm]

ROUGH-IN:



ANSI/A112.18.1-2005

FISHER
 FISHER MANUFACTURING COMPANY
 TOLL FREE: 800-421-6162 - FAX: 800-832-8238
information@fisher-mfg.com - www.fisher-mfg.com