

APPLICATION:

PRODUCT NAME: STAINLESS STEEL
DOUBLE KNEE CONTROL VALVE
FLOOR MOUNT

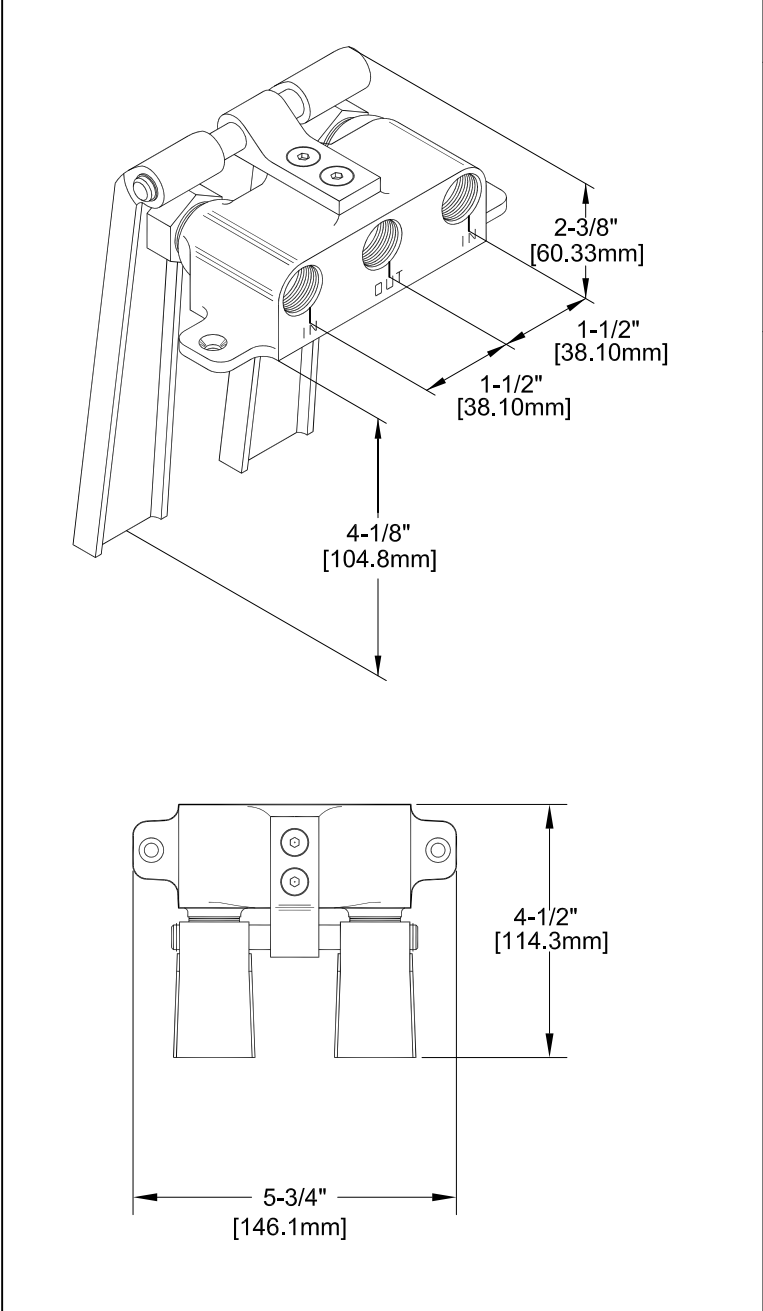
JOB NAME:

SPECIAL CONFIGURATION
 CHECK BASE MODEL AND OPTIONS

QUANTITY:

ITEM NO.

MODEL:
 47988



OPTIONS OR MODIFICATIONS:
 SUPPLY LINES (24" OR 36") CIRCLE LENGTH
 NIPPLES
 ELBOWS
 HANDLES (CROSS OR WRIST) CIRCLE STYLE
 VANDAL RESISTANT KIT
 OTHER _____

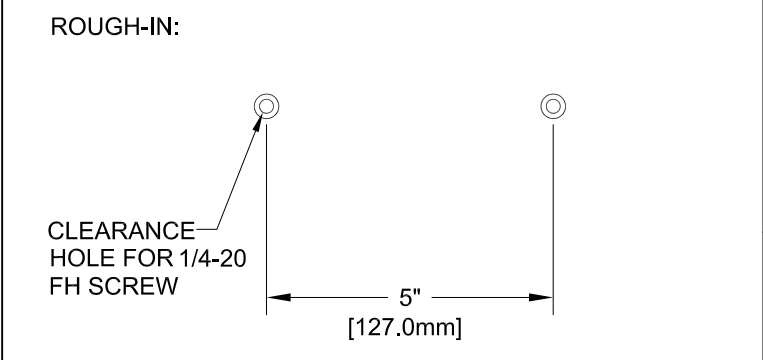
FEATURES

- * PEDAL ANODIZED ALUMINUM
- * CYLINDER CLOSING WITH WATER FLOW
- * POLISHED CHROME

RECOMMENDED SETTINGS
 * 110°F AT 80 PSI

SYSTEM LIMITS
 * TEMP: 40°F MIN. TO 140°F MAX.
 * PRESSURE 200 PSI MAX. STATIC

SHIPPING WEIGHT
 * 3.5 LBS



FISHER
 FISHER MANUFACTURING COMPANY
 TOLL FREE: 800-421-6162 - FAX: 800-832-8238
 information@fisher-mfg.com - www.fisher-mfg.com

ANSI/A112.18.1M