

APPLICATION:

PRODUCT NAME:  
SS SINGLE PEDAL CONTROL VALVE  
FLOOR MOUNT

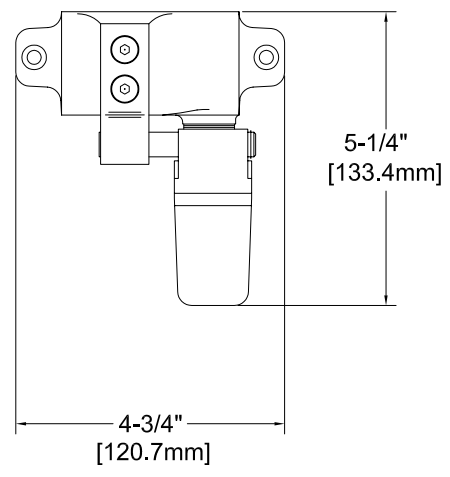
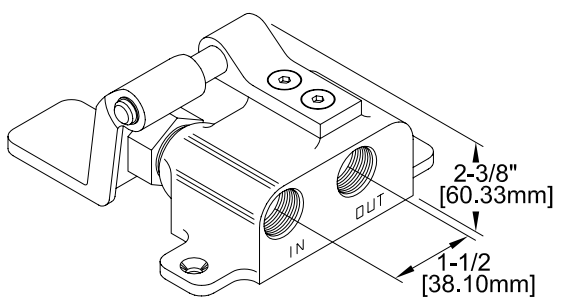
JOB NAME:

SPECIAL CONFIGURATION  
 CHECK BASE MODEL AND OPTIONS

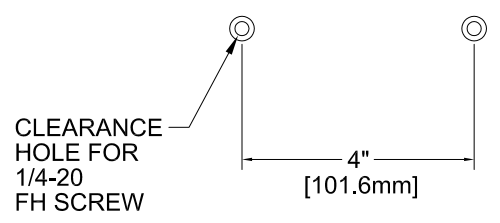
QUANTITY:

ITEM NO.

MODEL:  
 47759



ROUGH-IN:



FEATURES

- \* PEDAL ANODIZED ALUMINUM
- \* CYLINDER CLOSING WITH WATER FLOW
- \* POLISHED STAINLESS STEEL BODY

RECOMMENDED SETTINGS

- \* 110°F AT 80 PSI

SYSTEM LIMITS

- \* TEMP: 40°F MIN. TO 140°F MAX.
- \* PRESSURE 200 PSI MAX. STATIC

SHIPPING WEIGHT

- \* 2.75 LBS

\* NSF 61-9 APPROVED & LISTED  
[www.truesdail.com](http://www.truesdail.com)

ANSI/A112.18.1M

**FISHER**  
 FISHER MANUFACTURING COMPANY  
 TOLL FREE: 800-421-6162 - FAX: 800-832-8238  
[information@fisher-mfg.com](mailto:information@fisher-mfg.com) - [www.fisher-mfg.com](http://www.fisher-mfg.com)