

APPLICATION:

PRODUCT NAME:
FAUCET 4BSLH SS DJ

JOB NAME:

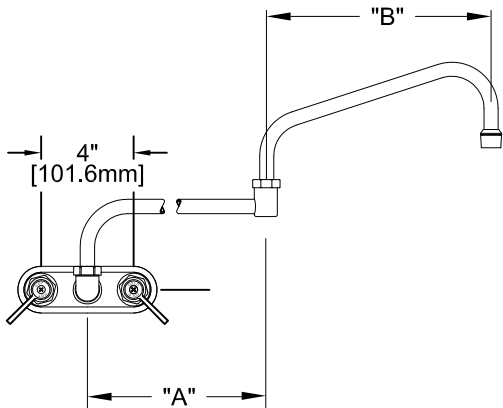
_____ SPECIAL CONFIGURATION
 _____ CHECK BASE MODEL AND OPTIONS

QUANTITY:

ITEM NO.

MODEL:

- 47465 W/6" SWING SPOUT
- 47473 W/8" SWING SPOUT
- 47481 W/10" SWING SPOUT
- 47503 W/12" SWING SPOUT
- 47511 W/14" SWING SPOUT
- 47538 W/16" SWING SPOUT



OPTIONS OR MODIFICATIONS:

- SUPPLY LINES (24" OR 36") CIRCLE LENGTH
- DJ SUB-ASSY (7-1/4" OR 13") CIRCLE LENGTH
- ELBOWS
- VANDAL RESISTANT KIT
- HANDLES (CROSS OR WRIST) CIRCLE STYLE
- OTHER _____

MODEL	DIM "A"	DIM "B"
47465	7" [177.8mm]	6" [152.4mm]
47473	7" [177.8mm]	8" [203.2mm]
47481	7" [177.8mm]	10" [254mm]
47503	7" [177.8mm]	12" [304.8mm]
47511	7" [177.8mm]	14" [355.6mm]
47538	7" [177.8mm]	16" [406.4mm]

FEATURES:

- * 4" C/C BACKSPLASH
- * SWIVELLING SEAT DISKS
- * HOT SIDE STEM - RIGHT HAND
- * COLD SIDE STEM - LEFT HAND
- * STAINLESS STEEL SEATS
- * STAINLESS STEEL SEAT SCREWS
- * STAINLESS STEEL HANDLE SCREWS
- * 1/2" SLIP JOINT

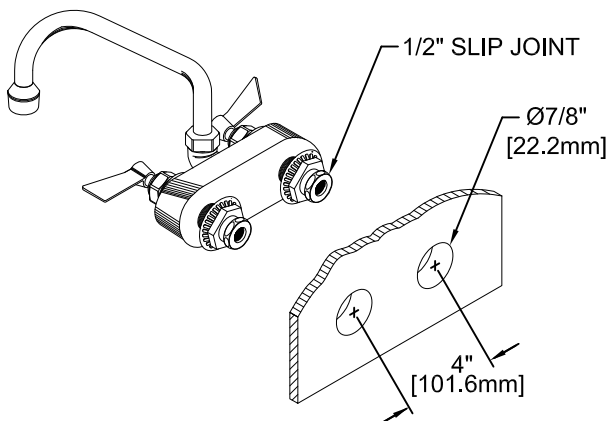
SYSTEM LIMITS

- * TEMP: 40°F MIN. TO 160°F MAX.
- * PRESSURE 200 PSI MAX. STATIC
- * 2.20 GPM AT 80 PSI

SHIPPING WEIGHT

- * 4.25 LBS

ROUGH-IN:



FISHER MANUFACTURING COMPANY
TOLL FREE: 800-421-6162 - FAX: 800-832-8238
information@fisher-mfg.com - www.fisher-mfg.com

WARNING:
Proposition 65 requires that we provide you with the following notice: "This product Contains A Chemical Known To The State Of California To Cause Cancer Or Birth Defects Or Other Reproductive Harm."



ANSI/A112.18.1M