

APPLICATION:

PRODUCT NAME:

CTL VLV CRLH SVL SV

JOB NAME:

MODEL:

4750-0000 CTL VLV CRLH SVL SV

QUANTITY:

ITEM NO.:

OPTIONS OR MODIFICATIONS:

OTHER _____

FEATURES

CONTROL VALVE

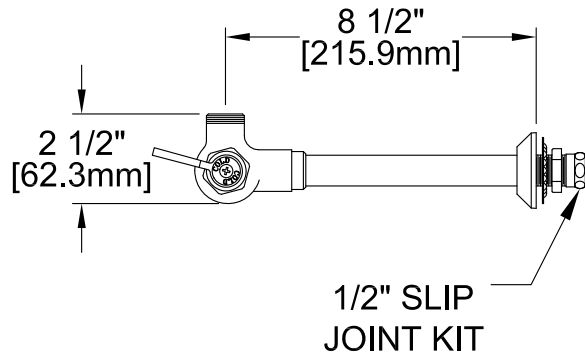
- * SINGLE WALL BACKSPASH MOUNT
- * SWIVELLING SEAT DISK
- * STEM - RIGHT HAND
- * STAINLESS STEEL SEAT
- * STAINLESS STEEL SEAT SCREW
- * STAINLESS STEEL HANDLE SCREW
- * HOT AND COLD INDEX BUTTONS

SYSTEM LIMITS

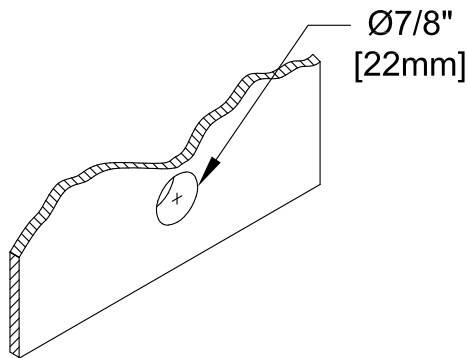
- * TEMP: 40°F MIN. TO 160°F MAX.
- * PRESSURE: 200 PSI MAX. STATIC
- * 2.2 GPM AT 60 PSI

SHIPPING WEIGHT

- * 2.5 LBS
- * ASME A112.18.1 / CSA B125.1
- * NSF 61 - Section 9
- * NSF 372 (Low Lead Content)



ROUGH-IN:



FISHER

FISHER MANUFACTURING COMPANY
TOLL FREE: 800-421-6162 - FAX: 800-832-8238
information@fisher-mfg.com - www.fisher-mfg.com