

APPLICATION:

PRODUCT NAME:  
**SINGLE WALL FAUCET**

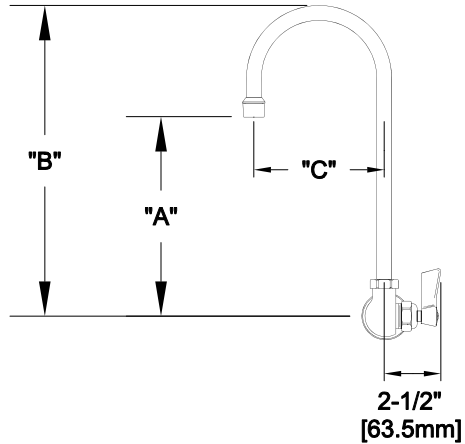
JOB NAME:

SPECIAL CONFIGURATION  
 CHECK BASE MODEL AND OPTIONS

QUANTITY:

ITEM NO.

MODEL:  
 3715 W/ 12" SWIVEL GOOSENECK SPOUT  
 2046 W/ 6" SWIVEL GOOSENECK SPOUT



MODEL	DIM "A"	DIM "B"	DIM "C"
3715	6-1/4" [158.8mm]	10-5/16" [261.9mm]	5-1/2" [139.7mm]
2046	4-7/8" [123.8mm]	8-9/16" [217.5mm]	3-1/2" [88.90mm]

OPTIONS OR MODIFICATIONS:  
 SUPPLY LINES (24" OR 36") CIRCLE LENGTH  
 NIPPLES  
 ELBOWS  
 HANDLES (CROSS OR WRIST) CIRCLE STYLE  
 VANDAL RESISTANT KIT  
 OTHER \_\_\_\_\_

**FEATURES**

- \* SINGLE WALL
- \* SWIVELLING SEAT DISKS
- \* STEM - RIGHT HAND
- \* STAINLESS STEEL SEATS
- \* STAINLESS STEEL SEAT SCREWS
- \* STAINLESS STEEL HANDLE SCREWS
- \* HOT & COLD INDEX BUTTONS

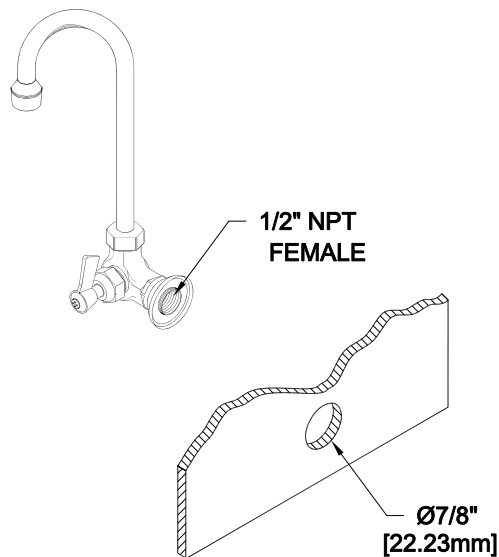
**SYSTEM LIMITS**

- \* TEMP: 40°F MIN. TO 140°F MAX.
- \* PRESSURE 200 PSI MAX. STATIC
- \* 2.20 GPM @ 60 PSI

**SHIPPING WEIGHT**

- \* 2.5 LBS

**ROUGH-IN:**



FISHER MANUFACTURING COMPANY  
 TOLL FREE: 800-421-6162 - FAX: 800-832-8238  
 information@fisher-mfg.com - www.fisher-mfg.com