

APPLICATION:

JOB NAME:

QUANTITY: ITEM NO.

PRODUCT NAME:

SINGLE WALL FAUCET

_____ SPECIAL CONFIGURATION
CHECK BASE MODEL AND OPTIONS

MODEL:

3710 W/ 6" SWING SPOUT

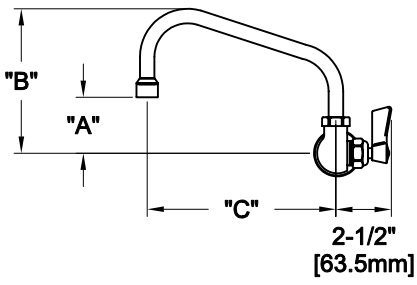
3711 W/ 8" SWING SPOUT

3712 W/ 10" SWING SPOUT

3713 W/ 12" SWING SPOUT

3714 W/ 14" SWING SPOUT

1805 W/ 16" SWING SPOUT



OPTIONS OR MODIFICATIONS:

SUPPLY LINES (24" OR 36") CIRCLE LENGTH

DJ SUB-ASSY (7-1/4" OR 13") CIRCLE LENGTH

NIPPLES

ELBOWS

HANDLES (CROSS OR WRIST) CIRCLE STYLE

VANDAL RESISTANT KIT

OTHER _____

MODEL	DIM "A"	DIM "B"	DIM "C"
3710	2-1/4" [57.2mm]	5-7/8" [149.2mm]	6" [152.4mm]
3711	2-1/2" [63.5mm]	6-3/8" [161.9mm]	8" [203.2mm]
3712	3-1/8" [79.4mm]	6-7/8" [174.6mm]	10" [254.0mm]
3713	3-3/4" [95.3mm]	7-3/8" [187.3mm]	12" [304.8mm]
3714	4-3/8" [111.4mm]	8-1/4" [209.6mm]	14" [355.6mm]
1805	5-1/8" [130.2mm]	8-7/8" [225.4mm]	16" [406.4mm]

FEATURES:

- * SINGLE WALL
- * SWIVELLING SEAT DISKS
- * STEM - RIGHT HAND
- * STAINLESS STEEL SEATS
- * STAINLESS STEEL SEAT SCREWS
- * STAINLESS STEEL HANDLE SCREWS
- * HOT AND COLD INDEX BUTTONS

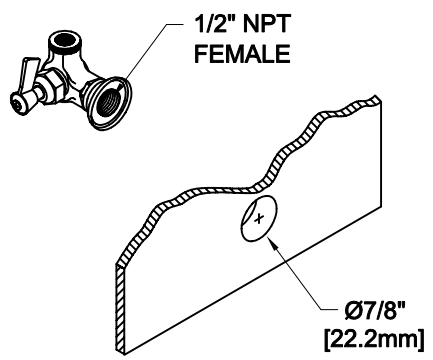
SYSTEM LIMITS

- * TEMP: 40°F MIN. TO 140°F MAX.
- * PRESSURE 200 PSI MAX. STATIC
- * 2.20 AT 80 PSI

SHIPPING WEIGHT

* 2.25 LBS

ROUGH-IN:



FISHER

FISHER MANUFACTURING COMPANY

TOLL FREE: 800-421-6162 - FAX: 800-832-8238

information@fisher-mfg.com - www.fisher-mfg.com