

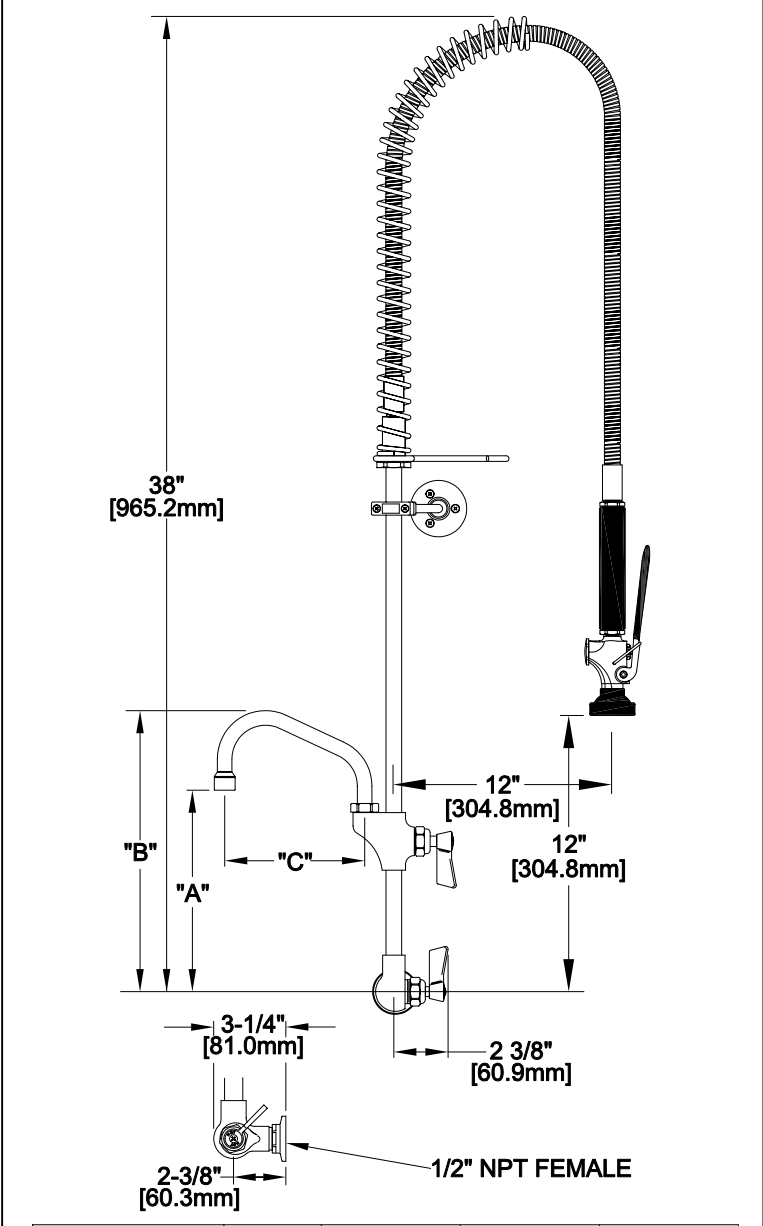
APPLICATION:
 JOB NAME:

PRODUCT NAME:
 PRE-RINSE SPRING SINGLE WALL MOUNT
 WITH WALL BRACKET & ADD-ON FAUCET

QUANTITY:

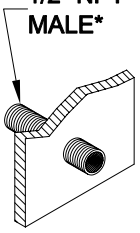
ITEM NO.

- SPECIAL CONFIGURATION
 CHECK BASE MODEL AND OPTIONS
- MODEL:
- 34568 WITH 6" SWING SPOUT
 - 34576 WITH 8" SWING SPOUT
 - 34585 WITH 10" SWING SPOUT
 - 34592 WITH 12" SWING SPOUT
 - 34606 WITH 14" SWING SPOUT
 - 34614 WITH 16" SWING SPOUT



- OPTIONS OR MODIFICATIONS:
- SUPPLY LINES (24" OR 36") CIRCLE LENGTH
 - ADD-ON FAUCET (6", 8", 10", 12", 14", 16") CIRCLE
 - IN-LINE DUAL CHECK VALVE
 - BRUSH
 - VANDAL RESISTANT KIT
 - HANDLES (CROSS OR WRIST) CIRCLE STYLE
 - OTHER _____

- FEATURES:
- MAIN CONTROL VALVE**
- * SINGLE WALL MOUNT
 - * INTERNAL SPRING LOADED CHECK VALVES
 - * SWIVELLING SEAT DISKS
 - * STEM - RIGHT HAND SWIVEL
 - * HOT AND COLD INDEX BUTTONS INCLUDED
 - * STAINLESS STEEL SEATS, SEAT SCREWS AND HANDLE SCREWS
- ADD-ON CONTROL VALVE**
- * STEM - RIGHT HAND SWIVEL
 - * HOT INDEX BUTTON
 - * SWIVELLING SEAT DISKS
 - * STAINLESS STEEL SEATS, SEAT SCREWS AND HANDLE SCREWS.
- HOSE**
- * 36" LENGTH
 - * STAINLESS STEEL END FITTINGS
 - * STAINLESS STEEL EXTERNAL JACKET
 - * 3-PLY FIBER REINFORCED INTERNAL RUBBER
- HOSE**
- * REPAIRABLE IN FIELD WITH SIMPLE TOOLS
- ULTRA SPRAY VALVE**
- * LOWEST ENERGY USER - 1.15 GPM @ 60 PSI
 - * CLEANS FASTER - TEST PROVEN
 - * ENGINEERED TO LAST - NO 'O' RINGS TO LEAK
- * INTERCHANGEABLE - FITS ALL BRANDS
- WALL BRACKET**
- * ADJUSTS FROM 2" TO 12"
- SYSTEM LIMITS**
- * TEMP: 40°F MIN. TO 140°F MAX. STATIC
 - * PRESSURE 200 PSI MAX. STATIC
 - * SHIPPING WEIGHT: 12.0 LBS

ROUGH-IN	MODEL	DIM "A"	DIM "B"	DIM "C"
 1/2" NPT MALE* *NIPPLE NOT INCLUDED	34568	8-3/4" [221.3mm]	12-3/8" [313.3mm]	6" [152.4mm]
	34576	9" [227.6mm]	12-7/8" [326.0mm]	8" [203.2mm]
	34584	9-5/8" [243.5mm]	13-3/8" [340.3mm]	10" [254.0mm]
	34592	10-1/4" [259.4mm]	13-7/8" [351.4mm]	12" [304.8mm]
	34606	10-5/8" [275.0mm]	14-3/4" [373.7mm]	14" [355.6mm]
	34614	11-1/2" [292.1mm]	15-3/8" [389.5mm]	16" [406.4mm]