

**APPLICATION:**

**JOB NAME:**

**PRODUCT NAME:**  
**PRE-RINSE SPRING 4" C/C BACKSPLASH WITH WALL BRACKET & ADD-ON FAUCET**

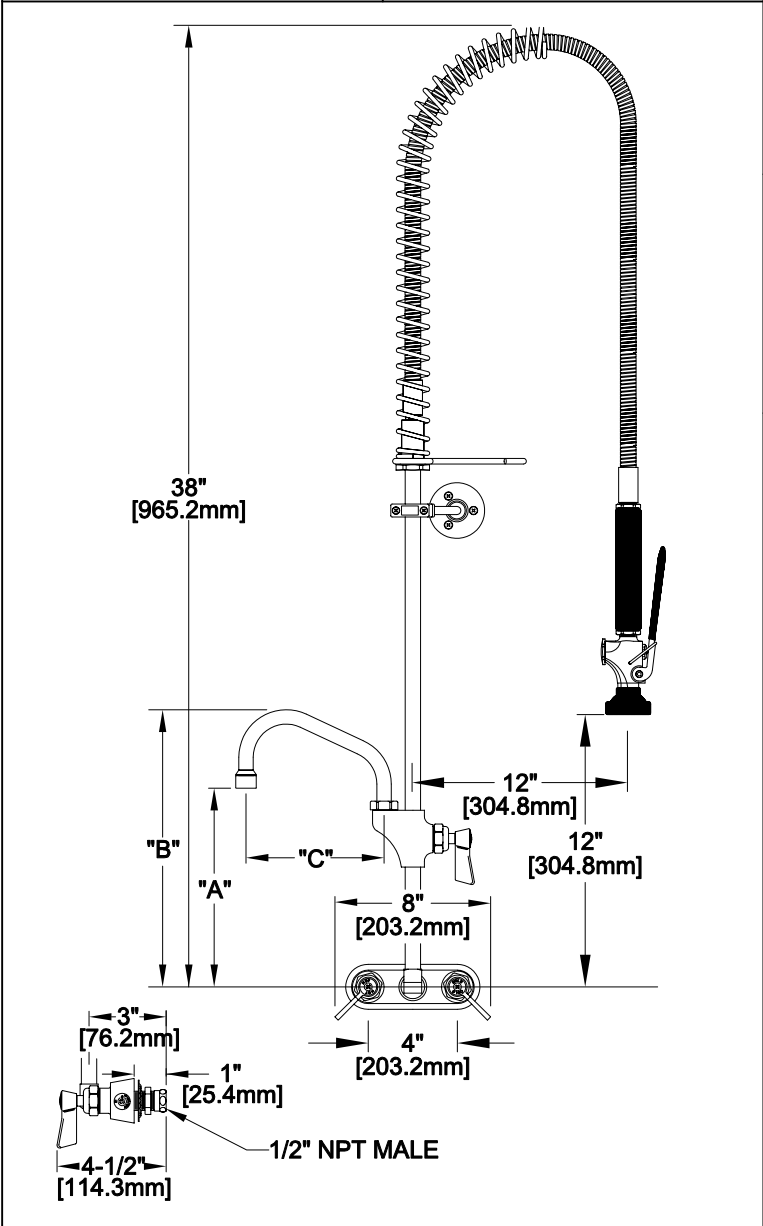
**SPECIAL CONFIGURATION**  
 **CHECK BASE MODEL AND OPTIONS**

**QUANTITY:**

**ITEM NO.**

**MODEL:**

34495 WITH 6" SWING SPOUT  
 34509 WITH 8" SWING SPOUT  
 34517 WITH 10" SWING SPOUT  
 34525 WITH 12" SWING SPOUT  
 34533 WITH 14" SWING SPOUT  
 34541 WITH 16" SWING SPOUT



**OPTIONS OR MODIFICATIONS:**

SUPPLY LINES (24" OR 36") CIRCLE LENGTH  
 ADD-ON FAUCET (6", 8", 10", 12", 14", 16") CIRCLE  
 IN-LINE DUAL CHECK VALVE  
 BRUSH  
 VANDAL RESISTANT KIT  
 HANDLES (CROSS OR WRIST) CIRCLE STYLE  
 OTHER \_\_\_\_\_

**FEATURES:**

**MAIN CONTROL VALVE**  
 \* 4" C/C BACKSPLASH  
 \* INTERNAL SPRING LOADED CHECK VALVES  
 \* SWIVELLING SEAT DISKS  
 \* HOT SIDE STEM - LEFT HAND CHECK  
 \* COLD SIDE STEM - RIGHT HAND CHECK  
 \* STAINLESS STEEL SEATS, SEAT SCREWS AND HANDLE SCREWS

**ADD-ON CONTROL VALVE**  
 \* STEM - RIGHT HAND  
 \* HOT INDEX BUTTON  
 \* SWIVELLING SEAT DISKS  
 \* STAINLESS STEEL SEATS, SEAT SCREWS AND HANDLE SCREWS

**HOSE**  
 \* 36" LENGTH  
 \* STAINLESS STEEL END FITTINGS  
 \* STAINLESS STEEL EXTERNAL JACKET  
 \* 3-PLY FIBER REINFORCED INTERNAL RUBBER HOSE  
 \* REPAIRABLE IN FIELD WITH SIMPLE TOOLS

**ULTRA SPRAY VALVE**  
 \* LOWEST ENERGY USER - 1.15 GPM @ 60 PSI  
 \* CLEANS FASTER - TEST PROVEN  
 \* ENGINEERED TO LAST - NO 'O' RINGS TO LEAK  
 \* INTERCHANGEABLE - FITS ALL BRANDS

ROUGH-IN	MODEL	DIM "A"	DIM "B"	DIM "C"
	34495	8-3/4" [221.3mm]	12-3/8" [313.3mm]	6" [152.4mm]
	34509	9" [227.6mm]	12-7/8" [326.0mm]	8" [203.2mm]
	34517	9-5/8" [243.5mm]	13-3/8" [340.3mm]	10" [254.0mm]
	34525	10-1/4" [259.4mm]	13-7/8" [351.4mm]	12" [304.8mm]
	34533	10-5/8" [275.0mm]	14-3/4" [373.7mm]	14" [355.6mm]
	34541	11-1/2" [292.1mm]	15-3/8" [389.5mm]	16" [406.4mm]

**WALL BRACKET**  
 \* ADJUSTS FROM 2" TO 12"

**SYSTEM LIMITS**  
 \* TEMP: 40°F MIN. TO 140°F MAX. STATIC  
 \* PRESSURE 200 PSI MAX. STATIC  
 \* SHIPPING WEIGHT: 14.0 LBS

