

APPLICATION:

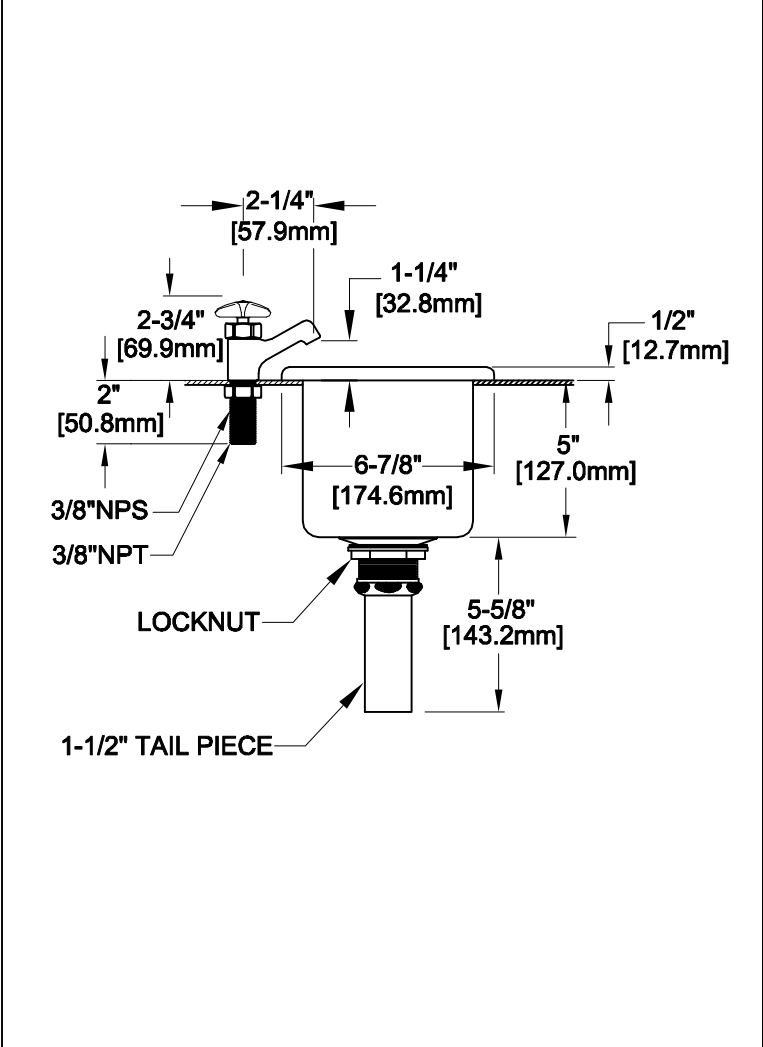
JOB NAME:

QUANTITY: ITEM NO.

PRODUCT NAME:
DIPPERWELL FAUCET & SINK ASSEMBLY

SPECIAL CONFIGURATION
 CHECK BASE MODEL AND OPTIONS

MODEL:
 3041



OPTIONS OR MODIFICATIONS:
 OTHER _____

- FEATURES:**
- DIPPERWELL FAUCET
 - * STAINLESS STEEL SEAT
 - DIPPERWELL SINK
 - * STAINLESS STEEL PAN
 - * REMOVABLE INNER SHELL
- SYSTEM LIMITS**
- * TEMP: 40°F MIN. TO 140°F MAX.
 - * PRESSURE 200 PSI MAX. STATIC
- SHIPPING WEIGHT**
- * 3.5 LBS

ROUGH-IN:

