

APPLICATION:

PRODUCT NAME:  
7-1/4" DJ SUB ASSEMBLE

JOB NAME:

SPECIAL CONFIGURATION  
 CHECK BASE MODEL AND OPTIONS

QUANTITY:

ITEM NO.

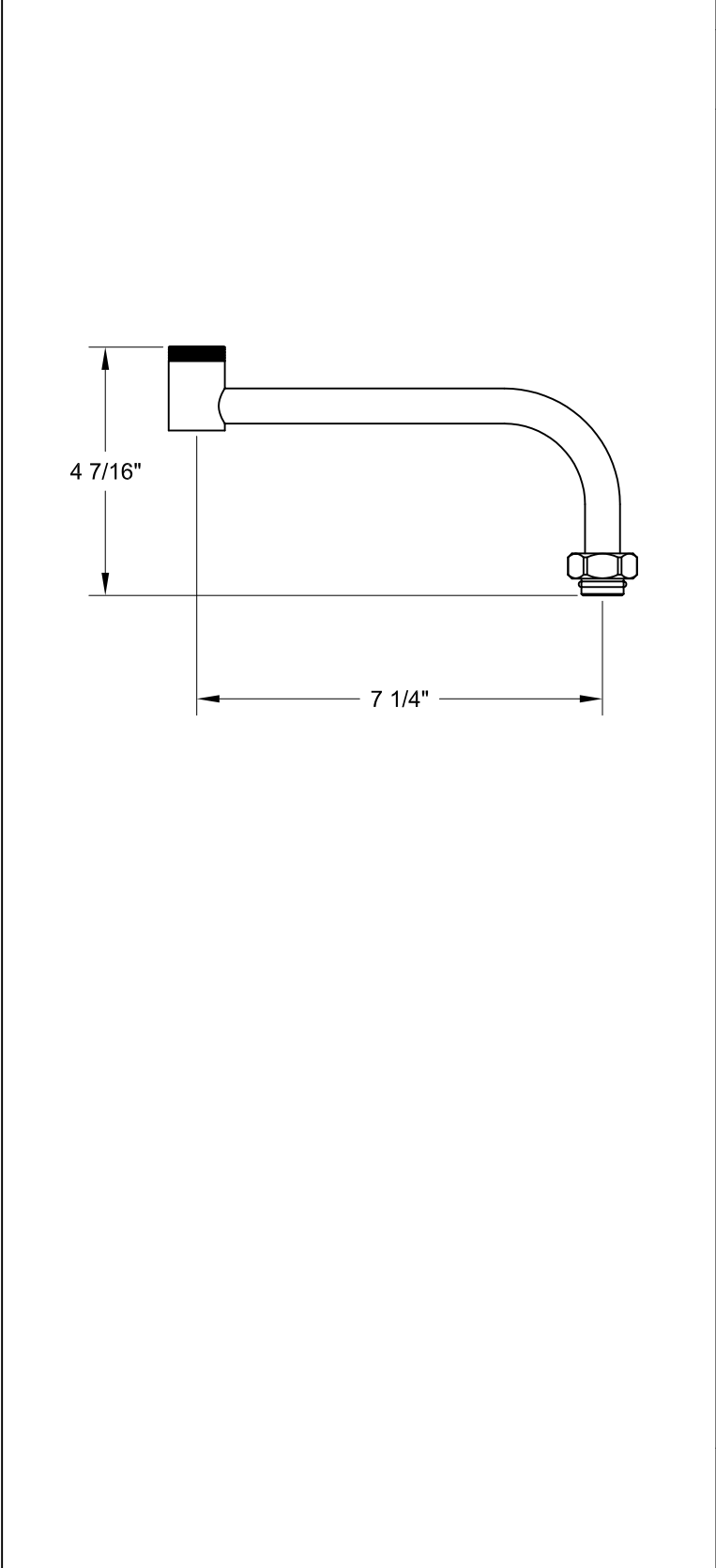
MODEL:  
 3000-0003

OPTIONS OR MODIFICATIONS:  
 OTHER \_\_\_\_\_

FEATURES

SYSTEM LIMITS  
\* TEMP: 40°F MIN. TO 140°F MAX.  
\* PRESSURE: 100 PSI MAX. STATIC

SHIPPING WEIGHT  
\* .75 LBS



ANSI/A112.18.1M

**FISHER**  
 FISHER MANUFACTURING COMPANY  
 TOLL FREE: 800-421-6162 - FAX: 800-832-8238  
 information@fisher-mfg.com - www.fisher-mfg.com