

APPLICATION:

JOB NAME:

QUANTITY:                      ITEM NO.

PRODUCT NAME:

SILL FAUCET SINGLE WALL  
WITH VACUUM BREAKER

SPECIAL CONFIGURATION  
CHECK BASE MODEL AND OPTIONS

MODEL:

29556

OPTIONS OR MODIFICATIONS:

SUPPLY LINES (24" OR 36") CIRCLE LENGTH

NIPPLES

ELBOWS

HANDLES (CROSS OR WRIST) CIRCLE STYLE

OTHER \_\_\_\_\_

FEATURES:

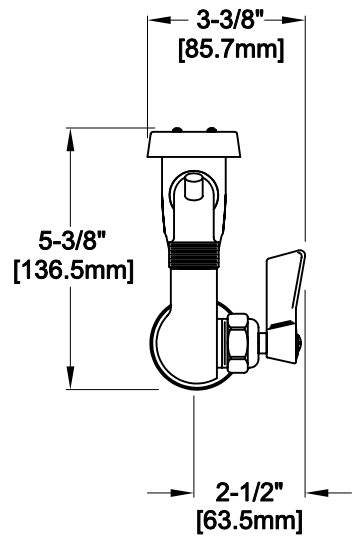
- \* SINGLE WALL
- \* STEM - RIGHT HAND
- \* SWIVELING SEAT DISKS
- \* STAINLESS STEEL SEATS
- \* STAINLESS STEEL SEAT SCREWS
- \* STAINLESS STEEL HANDLE SCREWS
- \* ATMOSPHERIC VACUUM BREAKER
- \* GARDEN HOSE THREADED SPOUT
- \* HOT AND COLD INDEX BUTTONS INCLUDED

SYSTEM LIMITS

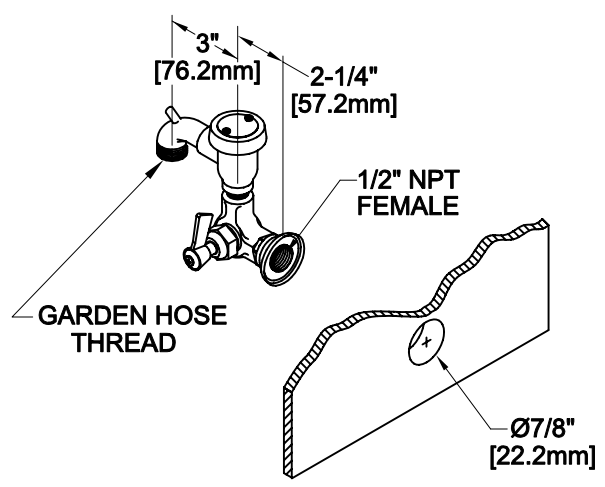
- \* TEMP: 40°F MIN. TO 140°F MAX.
- \* PRESSURE 200 PSI MAX. STATIC
- \* 13.6 GPM AT 80 PSI

SHIPPING WEIGHT

- \* 2.25 LBS



ROUGH-IN:



**FISHER**  
FISHER MANUFACTURING COMPANY  
TOLL FREE: 800-421-6162 - FAX: 800-832-8238  
information@fisher-mfg.com - www.fisher-mfg.com