

APPLICATION:

PRODUCT NAME:
WATER HAMMER SIL 1/2 ECO

JOB NAME:

SPECIAL CONFIGURATION
CHECK BASE MODEL AND OPTIONS

QUANTITY:

ITEM NO.

MODEL:
 2937-9000

OPTIONS OR MODIFICATIONS:
 OTHER _____

FEATURES:

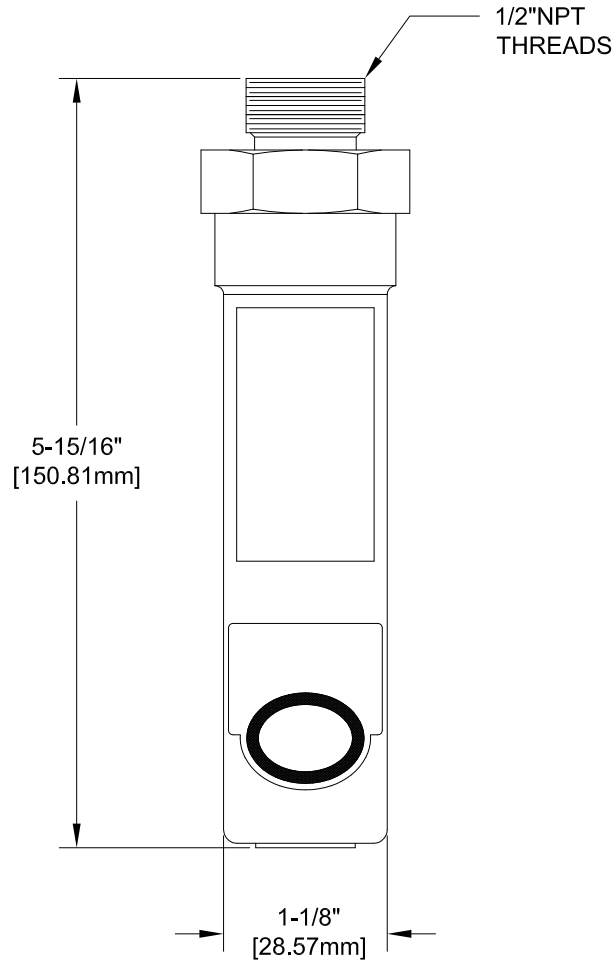
- * NPT SOLID HEX BRASS ADAPTER OR SOLDER END CONNECTION FOR EASY INSTALLATION
- * APPROVED FOR INSTALLATION WITH NO ACCESS PANEL REQUIRED
- * MAYBE INSTALLED IN NEW OR EXISTING PLUMBING SYSTEM WITH STAND PIPE TEE VERTICALLY, HORIZONTALLY OR AT ANY ANGLE
- * MAINTENANCE FREE - PISTON IS THE ONLY MOVING PART
- * AIR PRE-LOADED IS 60 PSI
- * FACTORY AIR CHARGED AND PERMANENTLY SEALED

SYSTEM LIMITS

- * TEMP: 33°F MIN. TO 180° MAX.
- * WORKING PRESSURE: 150 PSI.

SHIPPING WEIGHT

- * .5 LBS



FISHER
 FISHER MANUFACTURING COMPANY
 TOLL FREE: 800-421-6162 - FAX: 800-832-8238
 information@fisher-mfg.com - www.fisher-mfg.com