

APPLICATION:
JOB NAME:

PRODUCT NAME:
UTILITY SPRAY VALVE

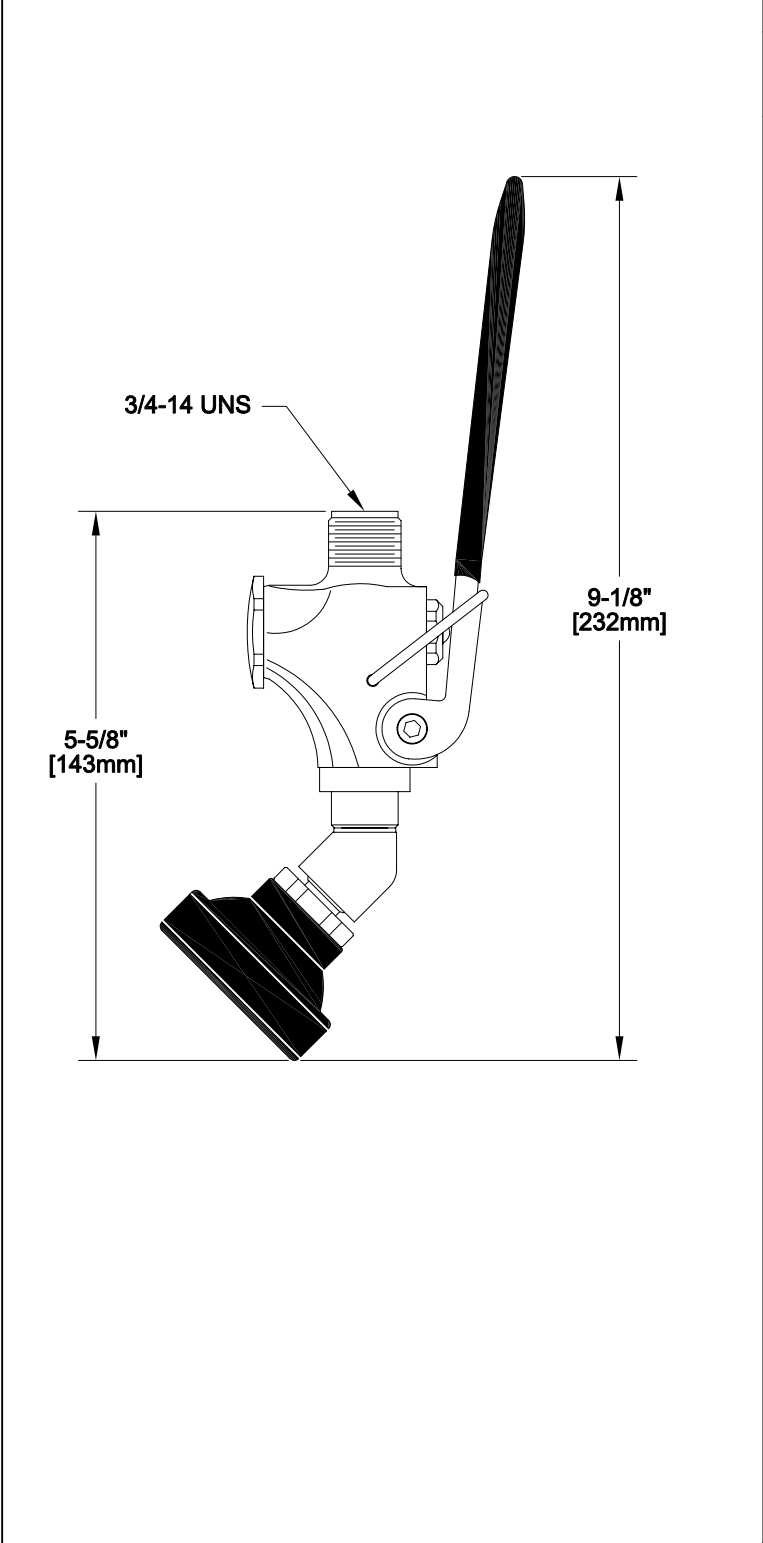
QUANTITY:

ITEM NO.

SPECIAL CONFIGURATION
CHECK BASE MODEL AND OPTIONS

MODEL:
 2920

OPTIONS OR MODIFICATIONS:
 OTHER _____



FEATURES
SPRAY VALVE
* SPRAY NOZZLE THREADED INTO BODY
* BRONZE HANDLE - NOT PLASTIC - MEANS FULL "ON"
* BLACK DISH GUARD BUMPER
* BUILT-IN SPRAY HANDLE CLIP
* FITS ALL BRANDS

SYSTEM LIMITS
* TEMP: 40°F MIN. TO 140°F MAX.
* PRESSURE: 200 PSI MAX. STATIC

SHIPPING WEIGHT
* 2.0 LBS