

APPLICATION:

JOB NAME:

QUANTITY: **ITEM NO.**

PRODUCT NAME:
 WALL MOUNT FAUCET
 WITH DJ SWING SPOUT

_____ **SPECIAL CONFIGURATION**
CHECK BASE MODEL AND OPTIONS

MODEL:
 2267

OPTIONS OR MODIFICATIONS:

HANDLES (CROSS OR WRIST) CIRCLE STYLE

VANDAL RESISTANT KIT

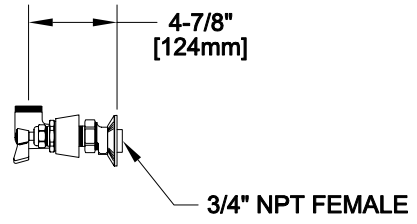
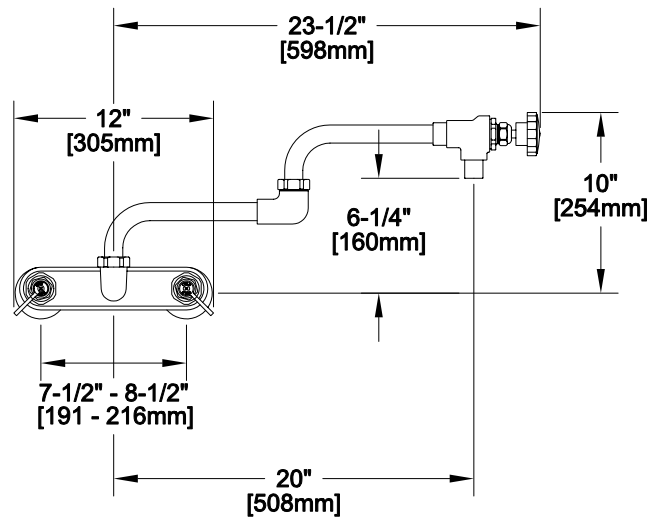
OTHER _____

FEATURES

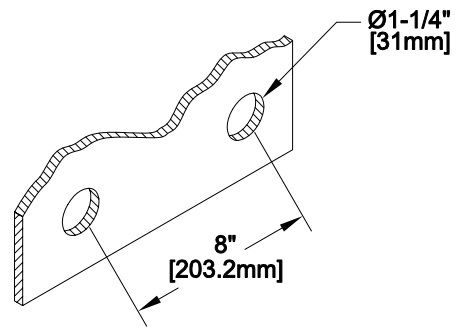
- CONTROL VALVE**
- * ECCENTRICS ADJUST FROM 7-1/2" TO 8-1/2"
 - * INTERNAL SPRING LOADED CHECK VALVES
 - * HOT SIDE STEM - RIGHT HAND
 - * COLD SIDE STEM - LEFT HAND
 - * SWIVELLING SEAT DISKS
 - * STAINLESS STEEL SEATS
 - * STAINLESS STEEL SEAT SCREWS
 - * STAINLESS STEEL HANDLE SCREWS
 - * SHUT-OFF SPOUT

- SYSTEM LIMITS**
- * TEMP: 40°F MIN. TO 140°F MAX.
 - * PRESSURE: 200 PSI MAX. STATIC
 - * 29 GPM AT 80 PSI

SHIPPING WEIGHT
 * 10.0 LBS



ROUGH-IN:



FISHER
 FISHER MANUFACTURING COMPANY
 TOLL FREE: 800-421-6162 - FAX: 800-832-8238
 information@fisher-mfg.com - www.fisher-mfg.com