

APPLICATION:

JOB NAME:

QUANTITY: ITEM NO.

PRODUCT NAME:

DrainKing WASTE VALVE

SPECIAL CONFIGURATION
CHECK BASE MODEL AND OPTIONS

MODEL:

22446 w/ VANDAL RESISTANT FLAT STRAINER & KNOB OVERFLOW BODY

OPTIONS OR MODIFICATIONS:

SUPPLY LINES (24" OR 36") CIRCLE LENGTH

ADD-ON FAUCET (6", 8", 10", 12", 14", 16") CIRCLE

IN-LINE DUAL CHECK VALVE

HANDLES (CROSS OR WRIST) CIRCLE STYLE

VANDAL RESISTANT KIT

OTHER _____

FEATURES:

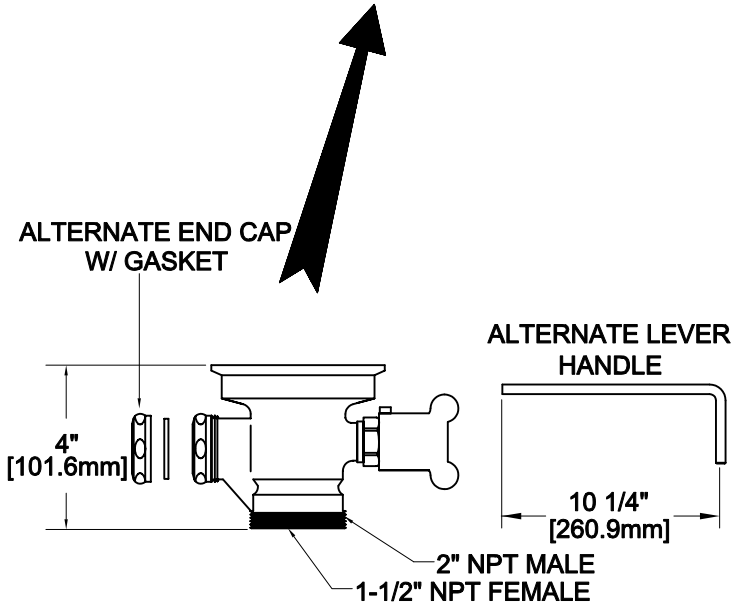
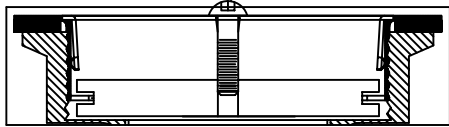
- * DUAL TEFLON SEALS
- * STAINLESS STEEL BALL
- * CAST RED BRASS BODY
- * EXTRA SURDY STAINLESS STEEL CLAMPING RING
- * "CLEAR THROUGH" OPENING, NO NEED TO DISASSEMBLE IF SNAKING IS REQUIRED
- * INDUSTRY STANDARD "SEALING" ANGLE - FITS FLUSH TO STANDARD STAINLESS STEEL SINKS
- * VANDAL RESISTANT STAINLESS STEEL FLAT STRAINER
- * VANDAL RESISTANT KNOB
- * END CAP W/ GASKET INSTALLED
- * 1/4 TURN FULLY OPENS AND CLOSES VALVE
- * SUPPLIED WITH:
ALTERNATE LEVER HANDLE
ALTERNATE SLIP JOINT NUT & WASHER

DRAIN RATE:

* 12 GPM

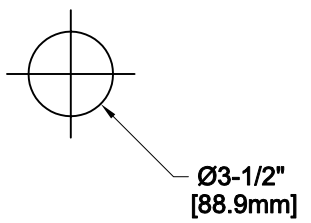
SHIPPING WEIGHT

* 5.5 LBS



ROUGH-IN:

DRAIN:



FISHER

FISHER MANUFACTURING COMPANY
TOLL FREE: 800-421-6162 - FAX: 800-832-8238
information@fisher-mfg.com - www.fisher-mfg.com