

APPLICATION:

PRODUCT NAME:

**FAUCET 4BSLH**

JOB NAME:

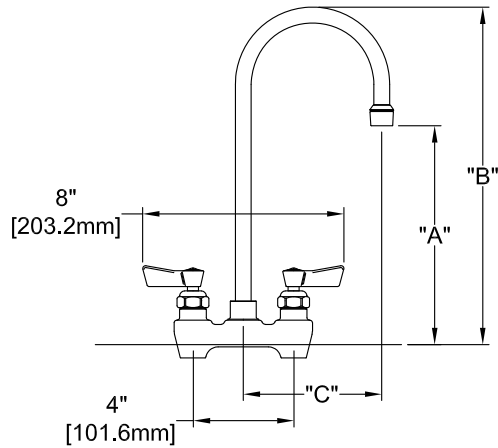
SPECIAL CONFIGURATION  
 CHECK BASE MODEL AND OPTIONS

QUANTITY:

ITEM NO.:

MODEL:

- 3616 FAUCET 4BSLH 12RGN PER 2.20 GPM
- 2003 FAUCET 4BSLH 06RGN PER 2.20 GPM
- 85391 FAUCET 4BSLH 10RGN PER 2.20 GPM
- 73370 FAUCET 4BSLH 12RGN PCA SPRAY 0.35 GPM
- 73371 FAUCET 4BSLH 06RGN PCA SPRAY 0.35 GPM



OPTIONS OR MODIFICATIONS:

- SUPPLY LINES (24" OR 36") CIRCLE LENGTH
- IN-LINE DUAL CHECK VALVE
- ELBOWS
- VANDAL RESISTANT KIT
- HANDLES (CROSS OR WRIST) CIRCLE STYLE
- OTHER \_\_\_\_\_

FEATURES:

**CONTROL VALVE**

- \* 4" C/C BACKSPLASH
- \* INTERNAL SPRING LOADED CHECK VALVES
- \* SWIVELING SEAT DISKS
- \* HOT SIDE STEM - LEFT HAND
- \* COLD SIDE STEM - RIGHT HAND
- \* STAINLESS STEEL SEATS
- \* STAINLESS STEEL SEAT SCREWS
- \* STAINLESS STEEL HANDLE SCREWS
- \* 1/2" SLIP JOINT KIT INCLUDED

**SYSTEM LIMITS**

- \* TEMP: 40°F MIN. TO 160°F MAX.
- \* PRESSURE 200 PSI MAX. STATIC

**SHIPPING WEIGHT**

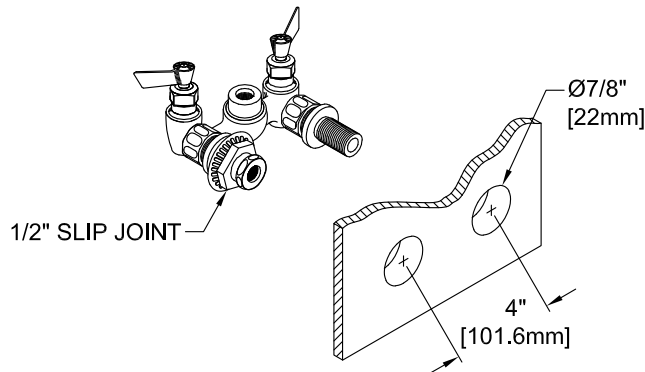
- \* 4.5 LBS

**PRODUCT COMPLIANCE:**

- \* ASME A112.18.1 / CSA B125.1
- \* NSF 61 - Section 9
- \* NSF 372 (Low Lead Content)

| MODEL | DIM "A"             | DIM "B"              | DIM "C"             |
|-------|---------------------|----------------------|---------------------|
| 3615  | 9-3/4"<br>[247.7mm] | 13-1/2"<br>[342.9mm] | 5-1/2"<br>[139.7mm] |
| 1996  | 6"<br>[152.4mm]     | 9-3/4"<br>[247.7mm]  | 3-1/2"<br>[88.9mm]  |
| 85391 | 6 1/4"<br>[159.0mm] | 10 1/2"<br>[266.2mm] | 5"<br>[127.0mm]     |
| 73370 | 9-3/4"<br>[247.7mm] | 13-1/2"<br>[342.9mm] | 5-1/2"<br>[139.7mm] |
| 73371 | 6"<br>[152.4mm]     | 9-3/4"<br>[247.7mm]  | 3-1/2"<br>[88.9mm]  |

ROUGH-IN:



**FISHER**

FISHER MANUFACTURING COMPANY  
 TOLL FREE: 800-421-6162 - FAX: 800-832-8238  
 information@fisher-mfg.com - www.fisher-mfg.com