

APPLICATION:

JOB NAME:

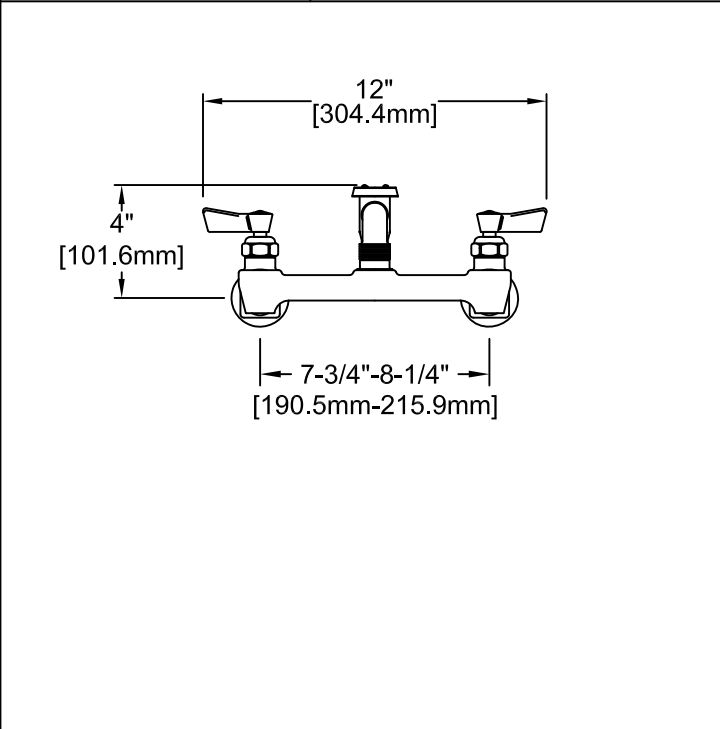
QUANTITY: ITEM NO.:

PRODUCT NAME:

FAUCET 8AWZLH 03SRV

MODEL:

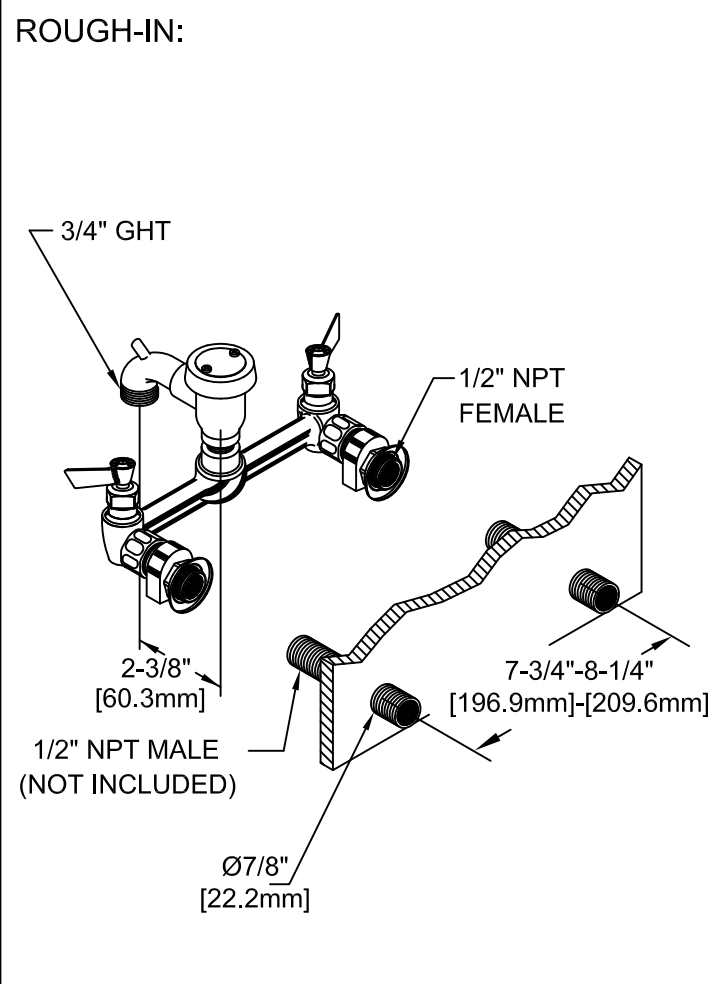
19828 FAUCET 8AWZLH 03SRV



OPTIONS OR MODIFICATIONS:

OTHER EZ INSTALL ADAPTERS

- FEATURES:
- CONTROL VALVE**
- * ECCENTRICS ADJUST FROM 7-3/4" TO 8-1/4"
 - * INTERNAL SPRING LOADED CHECK VALVES
 - * SWIVELING SEAT DISKS
 - * HOT SIDE STEM - RIGHT HAND
 - * COLD SIDE STEM - LEFT HAND
 - * STAINLESS STEEL SEATS
 - * STAINLESS STEEL SEAT SCREWS
 - * STAINLESS STEEL HANDLE SCREWS
 - * ATMOSPHERIC VACUUM BREAKER
 - * 3/4" GARDEN HOSE THREAD OUTLET
- SYSTEM LIMITS**
- * TEMP: 40°F MIN. TO 160°F MAX.
 - * PRESSURE: 200 PSI MAX. STATIC
 - * 13.6 GPM AT 80 PSI



SHIPPING WEIGHT

- * 5.0 LBS



WARNING:
Proposition 65 requires that we provide you with the following notice: "This product Contains A Chemical Known To The State Of California To Cause Cancer Or Birth Defects Or Other Reproductive Harm."