

APPLICATION:

JOB NAME:

PRODUCT NAME:

**WIDESPREAD DECK FAUCET**

SPECIAL CONFIGURATION  
CHECK BASE MODEL AND OPTIONS

QUANTITY:

ITEM NO.

MODEL:

1899 W/ 12" SWIVEL GOOSENECK SPOUT

1910 W/ 6" SWIVEL GOOSENECK SPOUT

OPTIONS OR MODIFICATIONS:

SUPPLY LINES (24" OR 36") CIRCLE LENGTH

VANDAL RESISTANT KIT

OTHER \_\_\_\_\_

FEATURES:

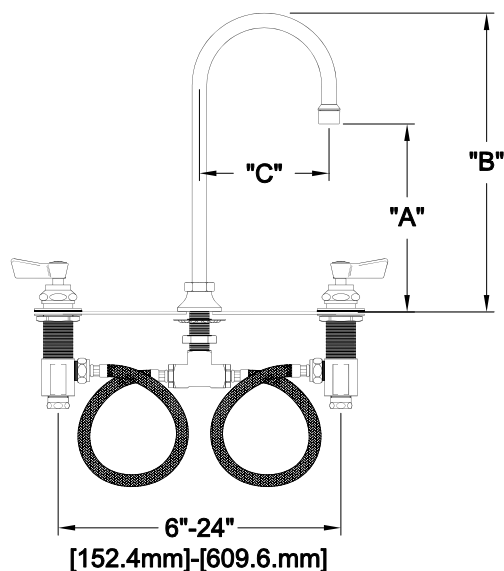
- \* WIDESPREAD DECK ADJUST. FROM 6" TO 24"
- \* SWIVELLING SEAT DISKS
- \* HOT SIDE STEM - RIGHT HAND
- \* COLD SIDE STEM - LEFT HAND
- \* STAINLESS STEEL SEATS
- \* STAINLESS STEEL SEAT SCREWS
- \* STAINLESS STEEL HANDLE SCREWS

SYSTEM LIMITS

- \* TEMP: 40°F MIN. TO 140°F MAX.
- \* PRESSURE 200 PSI MAX. STATIC
- \* 2.20 GPM AT 60 PSI

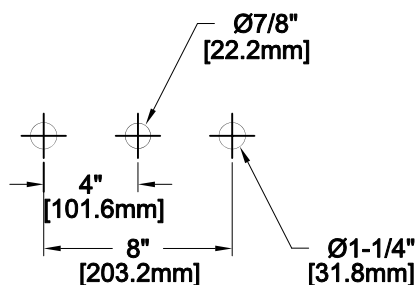
SHIPPING WEIGHT

- \* 5.0 LBS



MODEL	DIM "A"	DIM "B"	DIM "C"
1899	8-3/16" [208.0mm]	12-5/16" [312.7mm]	5-1/2" [139.7mm]
1910	4-7/16" [112.7mm]	8-1/16" [204.8mm]	3-1/2" [88.9mm]

ROUGH-IN:



ANSI/A112.18.1M

**FISHER**  
FISHER MANUFACTURING COMPANY  
TOLL FREE: 800-421-6162 - FAX: 800-832-8238  
information@fisher-mfg.com - www.fisher-mfg.com