

APPLICATION:

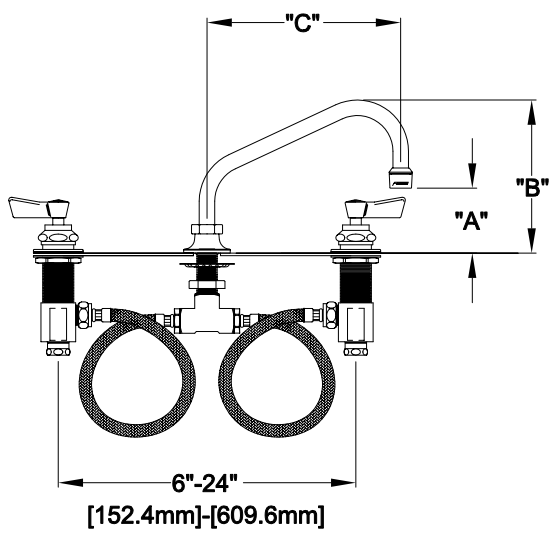
JOB NAME:

QUANTITY: ITEM NO.

PRODUCT NAME:

WIDESPREAD DECK FAUCET

_____ SPECIAL CONFIGURATION
CHECK BASE MODEL AND OPTIONS



MODEL:

1686 W/ 6" SWING SPOUT

1694 W/ 8" SWING SPOUT

1708 W/ 10" SWING SPOUT

1716 W/ 12" SWING SPOUT

1724 W/ 14" SWING SPOUT

1759 W/ 16" SWING SPOUT

OPTIONS OR MODIFICATIONS:

SUPPLY LINES (24" OR 36") CIRCLE LENGTH

DJ SUB-ASSY (7-1/4" OR 13") CIRCLE LENGTH

HANDLES (CROSS OR WRIST) CIRCLE STYLE

VANDAL RESISTANT KIT

OTHER _____

- FEATURES:
- * WIDESPREAD DECK ADJUSTS FROM 6" TO 24"
 - * SWIVELLING SEAT DISKS
 - * HOT SIDE STEM - RIGHT HAND
 - * COLD SIDE SEAT - LEFT HAND
 - * STAINLESS STEEL SEATS
 - * STAINLESS STEEL SEAT SCREWS
 - * STAINLESS STEEL HANDLE SCREWS

MODEL	DIM "A"	DIM "B"	DIM "C"
1686	1-3/4" [44.5mm]	5-3/8" [136.5mm]	6" [152.4mm]
1694	2" [50.8mm]	5-7/8" [149.2mm]	8" [203.2mm]
1708	2-5/8" [66.7mm]	6-3/8" [161.9mm]	10" [254.0mm]
1716	3-1/4" [82.6mm]	6-7/8" [174.6mm]	12" [304.8mm]
1724	3-7/8" [98.4mm]	7-3/4" [196.9mm]	14" [355.6mm]
1759	4-5/8" [117.5mm]	8-3/8" [212.7mm]	16" [406.4mm]

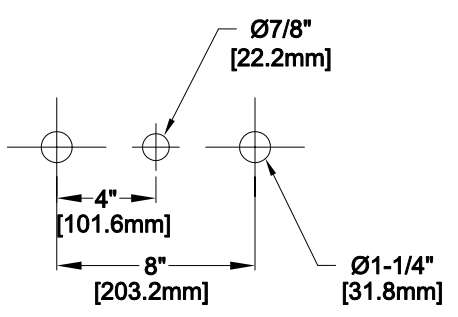
SYSTEM LIMITS

- * TEMP: 40°F MIN. TO 140°F MAX.
- * PRESSURE 200 PSI MAX. STATIC
- * 2.20 GPM AT 80 PSI

SHIPPING WEIGHT

- * 5.0 LBS

ROUGH-IN:



FISHER
FISHER MANUFACTURING COMPANY
TOLL FREE: 800-421-6162 - FAX: 800-832-8238
information@fisher-mfg.com - www.fisher-mfg.com