

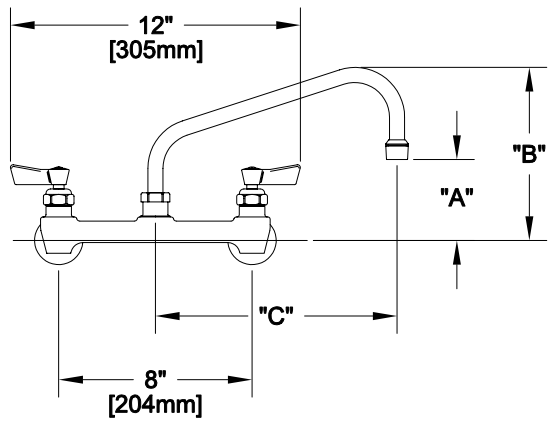
APPLICATION:
JOB NAME:

PRODUCT NAME:
8" C/C BACKSPLASH FAUCET

QUANTITY:

ITEM NO.

- SPECIAL CONFIGURATION CHECK BASE MODEL AND OPTIONS
- MODEL:
- 13234 W/ 6" SWING SPOUT
 - 13242 W/ 8" SWING SPOUT
 - 13250 W/ 10" SWING SPOUT
 - 13269 W/ 12" SWING SPOUT
 - 13277 W/ 14" SWING SPOUT
 - 13218 W/ 16" SWING SPOUT



MODEL	DIM "A"	DIM "B"	DIM "C"
13234	2-1/4" [57mm]	5-7/8" [149mm]	6" [152mm]
13242	2-1/2" [64mm]	6-3/8" [162mm]	8" [204mm]
13250	3-1/8" [79mm]	6-7/8" [175mm]	10" [254mm]
13269	3-3/4" [95mm]	7-3/8" [187mm]	12" [305mm]
13277	4-3/8" [111mm]	8-1/4" [210mm]	14" [356mm]
13218	5" [127mm]	8-7/8" [225mm]	16" [406mm]

- OPTIONS OR MODIFICATIONS:
- SUPPLY LINES (24" OR 36") CIRCLE LENGTH
 - DJ SUB-ASSY (7-1/4" OR 13") CIRCLE LENGTH
 - ELBOWS
 - VANDAL RESISTANT KIT
 - HANDLES (CROSS OR WRIST) CIRCLE STYLE
 - OTHER _____

FEATURES

CONTROL VALVE

- * 8" C/C BACKSPLASH MOUNT
- * SWIVELLING SEAT DISKS
- * HOT SIDE STEM - RIGHT HAND
- * COLD SIDE STEM - LEFT HAND
- * STAINLESS STEEL SEATS
- * STAINLESS STEEL SEAT SCREWS
- * STAINLESS STEEL HANDLE SCREWS
- * 1/2" SLIP JOINT

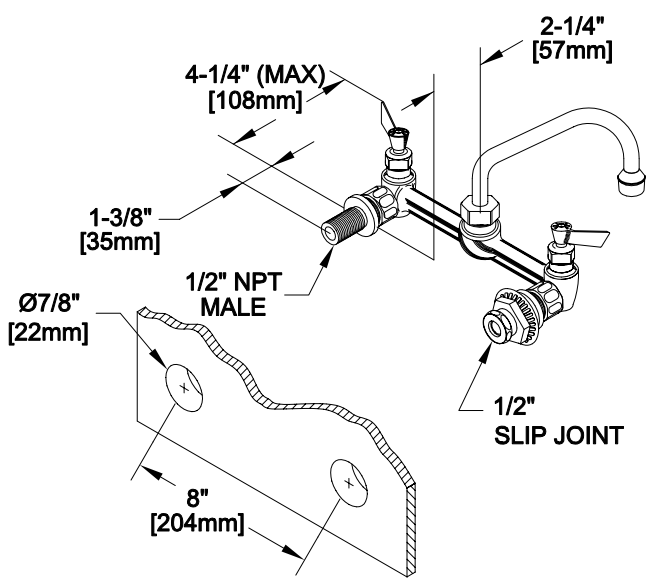
SYSTEM LIMITS

- * TEMP: 40°F MIN. TO 140°F MAX.
- * PRESSURE: 200 PSI MAX. STATIC
- * 2.20 GPM AT 80 PSI

SHIPPING WEIGHT

- * 5.0 LBS

ROUGH-IN:



FISHER
FISHER MANUFACTURING COMPANY
TOLL FREE: 800-421-6162 - FAX: 800-832-8238
information@fisher-mfg.com - www.fisher-mfg.com