

**APPLICATION:**

**JOB NAME:**

**QUANTITY:**                      **ITEM NO.**

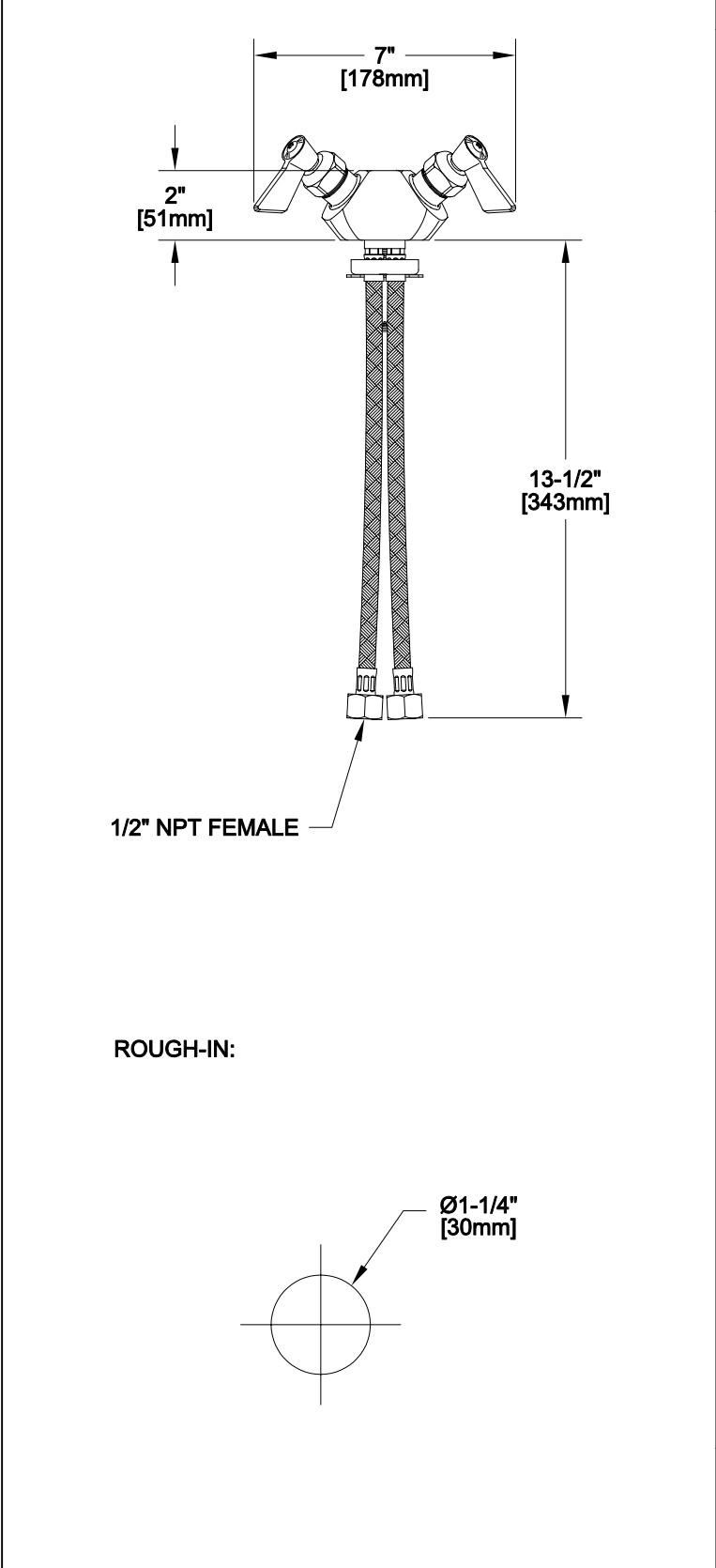
**PRODUCT NAME:**

**SINGLE DECK DUAL CONTROL VALVE**

**SPECIAL CONFIGURATION**  
**CHECK BASE MODEL AND OPTIONS**

**MODEL:**

**10529**



**OPTIONS OR MODIFICATIONS:**

**SUPPLY LINES (24" OR 36") CIRCLE LENGTH**

**HANDLES (CROSS OR WRIST) CIRCLE STYLE**

**VANDAL RESISTANT KIT**

**OTHER \_\_\_\_\_**

- FEATURES**
- CONTROL VALVE**
- \* 3/8" FEMALE NPT OUTLET
  - \* HOT SIDE STEM - RIGHT HAND
  - \* COLD SIDE STEM - LEFT HAND
  - \* SWIVELLING SEAT DISKS
  - \* STAINLESS STEEL SEATS
  - \* STAINLESS STEEL SEAT SCREWS
  - \* STAINLESS STEEL HANDLE SCREWS
  - \* FLEXIBLE INLET HOSES

- SYSTEM LIMITS**
- \* TEMP: 40°F MIN. TO 140°F MAX.
  - \* PRESSURE: 200 PSI MAX. STATIC

- SHIPPING WEIGHT**
- \* 5.0 LBS

**FISHER MANUFACTURING COMPANY**  
 TOLL FREE: 800-421-6162 - FAX: 800-832-8238  
 information@fisher-mfg.com - www.fisher-mfg.com