

APPLICATION:

PRODUCT NAME:  
GLASS FILLER WITH 3/8" CLOSE NIPPLE

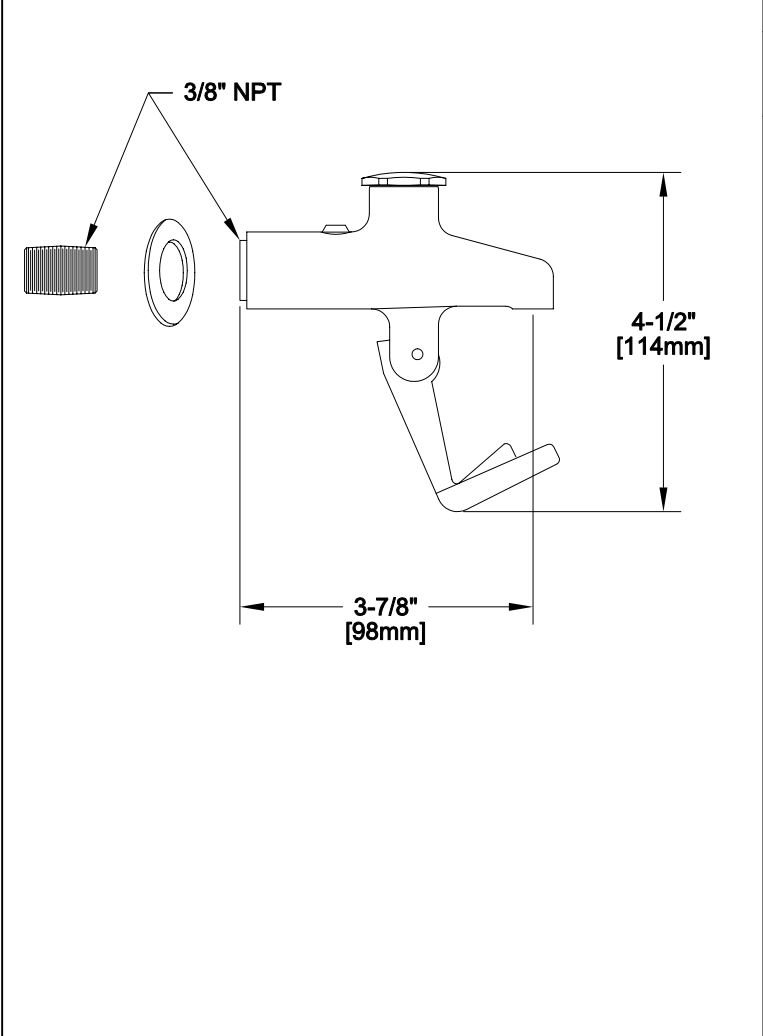
JOB NAME:

SPECIAL CONFIGURATION  
 CHECK BASE MODEL AND OPTIONS

QUANTITY:

ITEM NO.

MODEL:  
 10200



OPTIONS OR MODIFICATIONS:  
 OTHER \_\_\_\_\_

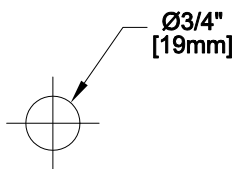
**FEATURES**

- \* STAINLESS STEEL HEAD
- \* MEETS NSF 61/SEC.9\*\*
- \* TAMPER PROOF VOLUME CONTROL
- \* HANDLES BOTH PAPER & GLASS CUPS
- \* NON-MARRING DELRIN PRONG
- \* STAINLESS STEEL SEAT SCREWS
- \* STAINLESS STEEL STREAM STRAINER
- \* FITS FISHER AND T&S PEDESTAL GLASS FILLER
  
- \*\* TESTED UNDER NSF-CSA ALLIANCE PROGRAM

- SYSTEM LIMITS**
- \* TEMP: 40°F MIN. TO 140°F MAX.
  - \* PRESSURE: 100 PSI MAX. STATIC
  - \* 2.2 GPM AT 80 PSI

**SHIPPING WEIGHT**  
\* 1.0 LBS

ROUGH-IN:



ANSI/A112.18.1M

**FISHER**  
FISHER MANUFACTURING COMPANY  
TOLL FREE: 800-421-6162 - FAX: 800-832-8238  
information@fisher-mfg.com - www.fisher-mfg.com